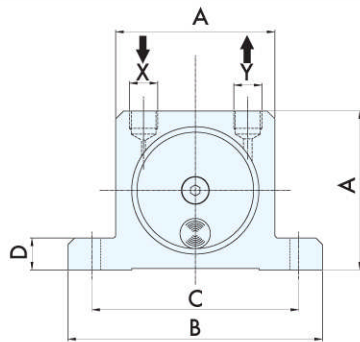
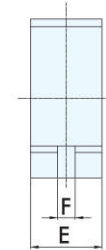



S



Ball-type
Kugelversion
à bille
a sfera



TYPE	A		B		C		D		E		F		X-Y		
	mm	inch	mm	inch	mm	inch	mm	inch	mm	inch	mm	inch		kg	lbs
S 8	50	1.97	86	3.39	68	2.68	12	0.47	20	0.79	7	0.28	1/8"	0.13	0.29
S 10															
S 13	65	2.56	113	4.45	90	3.54	16	0.63	25	0.98	9	0.35	1/4"	0.26	0.57
S 16									28	1.10				0.30	0.66
S 20	80	3.15	128	5.04	104	4.09	16	0.63	33	1.30	9	0.35	1/4"	0.53	1.17
S 25									38	1.50				0.63	1.39
S 30	100	3.94	160	6.30	130	5.12	20	0.79	45	1.77	11	0.43	3/8"	1.13	2.49
S 36									50	1.97				1.34	2.95

TYPE	Vibrations - Schwingungen Vibrations - Vibrazioni			F.C. max.						Air consumption - Luftverbrauch Consommation d'air - Consumo d'aria					
	Vpm			2 bar = 29 psi		4 bar = 58 psi		6 bar = 87 psi		2 bar = 29 psi		4 bar = 58 psi		6 bar = 87 psi	
	2 bar = 29 psi	4 bar = 58 psi	6 bar = 87 psi	kg	lbs	kg	lbs	kg	lbs	l	CF	l	CF	l	CF
S 8	25,500	31,000	35,000	13	29	26	57	36	79	83	2.9	145	5.1	195	6.9
S 10	22,500	28,000	34,000	25	55	47	103	71	156	92	3.2	150	5.3	200	7.1
S 13	15,000	18,500	22,500	32	70	55	121	87	191	94	3.3	158	5.6	225	7.9
S 16	13,000	17,000	19,500	45	99	80	176	110	242	122	4.3	200	7.1	280	9.9
S 20	10,500	14,500	16,500	72	158	122	268	172	378	130	4.6	230	8.1	340	12.0
S 25	9,200	12,200	14,000	93	205	157	345	205	451	160	5.7	290	10.2	425	15.0
S 30	7,800	9,700	12,500	151	332	247	543	321	706	215	7.6	375	13.2	570	20.1
S 36	7,300	9,000	10,000	206	453	315	693	405	891	260	9.2	475	16.8	675	23.8

CHICAGO VIBRATOR PRODUCTS 1-800-842-7284 USA & CANADA
1-630-920-9411 INTERNATIONAL