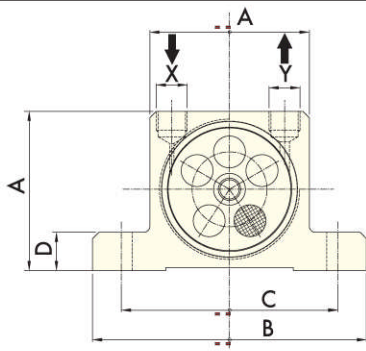
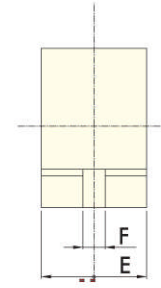


OT



Turbine-type
Turbinenversion
à turbine
a turbina



TYPE	A		B		C		D		E		F		X-Y	Ⓢ	
	mm	inch	mm	inch	mm	inch	mm	inch	mm	inch	mm	inch		kg	lbs
OT 8	50	1.97	86	3.39	68	2.68	12	0.47	33	1.30	7	0.28	1/8"	0.250	0.55
OT 10														0.255	0.56
OT 10S														0.263	0.58
OT 13	65	2.56	113	4.45	90	3.54	16	0.63	42	1.65	9	0.35	1/4"	0.565	1.24
OT 16														0.580	1.28
OT 16S														0.614	1.35
OT 20	80	3.15	128	5.04	104	4.09	16	0.63	56	2.20	9	0.35	1/4"	1.090	2.40
OT 25														1.120	2.46
OT 25S														1.200	2.64
OT 30	100	3.94	160	6.30	130	5.12	20	0.79	73	2.87	11	0.43	3/8"	2.200	4.84
OT 36														2.300	5.06
OT 36S														2.530	5.57

TYPE	Vibrations - Schwingungen Vibrations - Vibrazioni			F.C. max.						Air consumption - Luftverbrauch Consommation d'air - Consumo d'aria					
	Vpm			2 bar = 29 psi		4 bar = 58 psi		6 bar = 87 psi		2 bar = 29 psi		4 bar = 58 psi		6 bar = 87 psi	
	2 bar = 29 psi	4 bar = 58 psi	6 bar = 87 psi	kg	lbs	kg	lbs	kg	lbs	l	CF	l	CF	l	CF
OT 8	34,000	38,000	42,000	110	242	205	451	292	641	45	1.6	81	2.9	110	3,9
OT 10	26,000	33,000	38,000	105	231	171	377	252	554	45	1.6	81	2.9	110	3,9
OT 10S	17,200	23,400	26,000	72	159	147	323	187	410	45	1.6	81	2.9	110	3,9
OT 13	24,500	28,500	31,000	202	444	263	579	300	659	122	4.3	204	7.2	285	10,1
OT 16	18,000	20,000	21,000	194	427	239	527	264	581	122	4.3	204	7.2	285	10,1
OT 16S	11,500	15,000	17,500	129	285	196	431	234	516	122	4.3	204	7.2	285	10,1
OT 20	14,500	19,000	23,000	251	552	404	888	526	1157	184	6.5	318	11.2	452	16,0
OT 25	13,200	15,500	17,000	244	537	336	740	508	1117	184	6.5	318	11.2	452	16,0
OT 25S	9,000	11,000	13,500	214	471	335	738	483	1063	184	6.5	318	11.2	452	16,0
OT 30	11,000	12,500	14,500	351	771	721	1586	781	1718	322	11.4	542	19.1	749	26,5
OT 36	8,500	11,500	12,000	341	751	698	1536	749	1648	322	11.4	542	19.1	749	26,5
OT 36S	6,000	7,000	8,500	406	893	706	1554	754	1660	322	11.4	542	19.1	749	26,5

CHICAGO VIBRATOR PRODUCTS 1-800-842-7284 USA & CANADA
1-630-920-9411 INTERNATIONAL