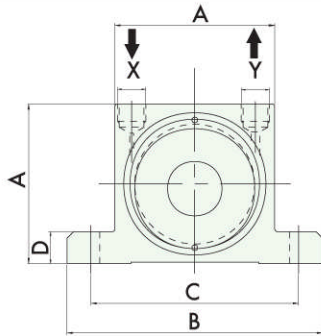



OR



Roller-type  
 Rollenversion  
 à rouleaux  
 a rulli



TYPE	A		B		C		D		E		F		X-Y		
	mm	inch	mm	inch	mm	inch	mm	inch	mm	inch	mm	inch		kg	lbs
OR 50	50	1.97	86	3.39	68	2.68	12	0.47	30	1.18	7	0.28	1/8"	0.370	0.81
OR 65	65	2.56	113	4.45	90	3.54	16	0.63	36	1.42	9	0.35	1/4"	0.760	1.67
OR 80	80	3.15	128	5.04	104	4.09	16	0.63	40	1.57	9	0.35	1/4"	1.270	2.79
OR 100	100	3.94	160	6.30	130	5.12	20	0.79	52	2.05	11	0.43	1/4"- 3/8"	2.600	5.72

TYPE	Vibrations - Schwingungen Vibrations - Vibrazioni			F.C. max.						Air consumption - Luftverbrauch Consumation d'air - Consumo d'aria					
	Vpm			2 bar = 29 psi		4 bar = 58 psi		6 bar = 87 psi		2 bar = 29 psi		4 bar = 58 psi		6 bar = 87 psi	
	2 bar = 29 psi	4 bar = 58 psi	6 bar = 87 psi	kg	lbs	kg	lbs	kg	lbs	l	CF	l	CF	l	CF
OR 50	21,000	25,000	29,500	188	413	281	619	355	780	78	2.8	144	5.1	204	7.2
OR 65	19,000	22,000	26,000	235	516	439	966	552	1215	100	3.5	198	7.0	296	10.5
OR 80	14,000	16,000	21,500	342	752	587	1292	624	1373	122	4.3	255	9.0	378	13.3
OR 100	6,750	9,750	11,000	289	637	604	1329	783	1722	132	4.7	284	10.0	412	14.5

**CHICAGO VIBRATOR PRODUCTS 1-800-842-7284 USA & CANADA  
 1-630-920-9411 INTERNATIONAL**