

MVE - Standard Range

► MICRO MVE 3000 - 3600 rpm



- II3 D Ex tD A22 Tx IP66
- TUV NORD Statement Conformity Number TUV 05 ATEX 2768X
- Equipment and protective system intended for use in potentially explosive atmospheres (Zone 22) - Directive 94/9/EC
- Compliance with Essential Health and Safety Requirements
- EN 61241-10

THREE PHASE	Mechanical Features			Electric Features			
	Unbalance In-lbs 60Hz	Max Force lbs 60Hz	Weight lb 60Hz	Input Power Hp 60 Hz	Current A max 60 Hz 460V	Class II Temp. Class (T)	Cable Glande
MVE.0021.36.460	0.17	64	4.4	0.05	0.12	T4	M16
MVE.0041.36.460	0.39	143	5.3	0.08	0.18	T4	M16

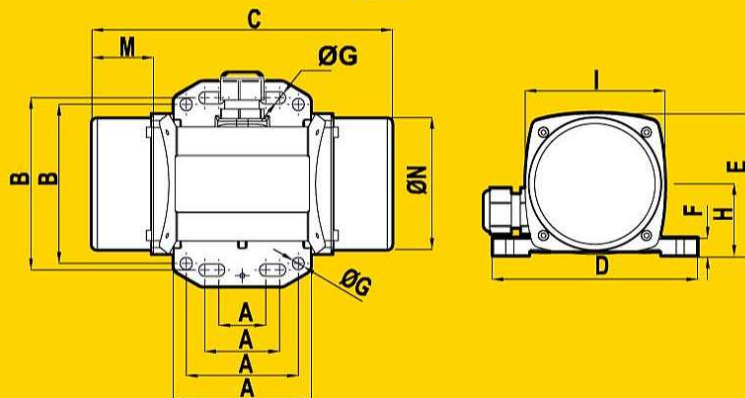
Data of unit "TYPE" projects 60 Hz performance

SINGLE PHASE	Mechanical Features			Electric Features			
	Unbalance In-lbs 60Hz	Max Force lbs 60Hz	Weight lbs 60Hz	Input Power Hp 60 Hz	A max 60 Hz 115V	Class II Temp. Class (T)	Cable Glande
MVE.0003.36.115	0.03	13	3.5	0.03	0.3	T4	M16
MVE.0006.36.115	0.05	19	3.5	0.03	0.3	T4	M16
MVE.0021.36.115	0.17	64	4.4	0.05	0.40	T4	M16
MVE.0041.36.115	0.39	143	5.3	0.07	0.50	T4	M16

Data of unit "TYPE" projects 60 Hz performance

SINGLE PHASE	Mechanical Features			Electric Features			
	Unbalance In-lbs 50Hz	Max Force lbs 50Hz	Weight lbs 50Hz	Input Power Hp 50 Hz	A max 50 Hz 230V	Class II Temp. Class (°C)	Cable Glande
MVE.0003.3.230	0.03	9	3.5	0.03	0.15	100	M16
MVE.0006.3.230	0.05	13	3.5	0.03	0.15	100	M16
MVE.0021.3.230	0.17	44	4.4	0.05	0.20	100	M16
MVE.0041.3.230	0.39	99	5.3	0.07	0.25	100	M16

Fig.F



CE Declaration of conformity "type B" according to:
- 2006/95/EC - 2004/108/EC - 2006/42/EC - EN 60034-1

ETL - Class II Div.2 Group F, G - T4 - NEMA 4
- Conform to UL 1836, UL1004 Cert. CSA C22.2 N°25,100,145
- Intertek ETL - SEMCO File Number 3177001



TYPE	DRWG. REF	C (inch)	M (inch)	Dimensional Features										
				A (inch)	B (inch)	Ø G (inch)	Holes n°	D (inch)	E (inch)	F (inch)	H (inch)	I (inch)	L (inch)	N (inch)
MVE.0021.36.460	F	5.71	0.98	0.98-1.57 2.36	3.62 3.35	0.26	4	4.33	3.01	0.39	1.54	2.95	2.91	2.78
MVE.0041.36.460	F	6.34	1.30	0.98-1.57 2.36	3.62 3.35	0.26	4	4.33	3.01	0.39	1.54	2.95	2.91	2.78

Data of unit "TYPE" projects 60 Hz performance

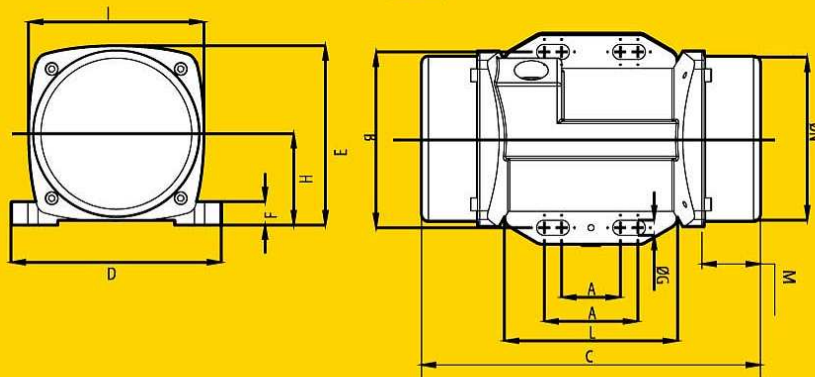
TYPE	DRWG. REF	C (inch)	M (inch)	Dimensional Features										
				A (inch)	B (inch)	Ø G (inch)	Holes n°	D (inch)	E (inch)	F (inch)	H (inch)	I (inch)	L (inch)	N (inch)
MVE.0003.36.115	F	5.71	0.98	0.98-1.57 2.36	3.62 3.35	0.26	4	4.33	3.01	0.39	1.54	2.95	2.91	2.78
MVE.0006.36.115	I	5.71	0.98	0.98-1.57 /	2.95 /	0.26 /	4	3.54	3.01	0.39	1.54	2.95	2.91	2.78
MVE.0021.36.115	F	5.71	0.98	0.98-1.57 2.36	3.62 3.35	0.26	4	4.33	3.01	0.39	1.54	2.95	2.91	2.78
MVE.0041.36.115	F	6.34	1.30	0.98-1.57 2.36	3.62 3.35	0.26	4	4.33	3.01	0.39	1.54	2.95	2.91	2.78

Data of unit "TYPE" projects 60 Hz performance

TYPE	DRWG. REF	C (inch)	M (inch)	Dimensional Features										
				A (inch)	B (inch)	Ø G (inch)	Holes n°	D (inch)	E (inch)	F (inch)	H (inch)	I (inch)	L (inch)	N (inch)
MVE.0003.3.230	F	5.71	0.98	0.98-1.57 2.36	3.62 3.35	0.26	4	4.33	3.01	0.39	1.54	2.95	2.91	2.78
MVE.0006.3.230	I	5.71	0.98	0.98-1.57 /	2.95 /	0.26 /	4	3.54	3.01	0.39	1.54	2.95	2.91	2.78
MVE.0021.3.230	F	5.71	0.98	0.98-1.57 2.36	3.62 3.35	0.26	4	4.33	3.01	0.39	1.54	2.95	2.91	2.78
MVE.0041.3.230	F	6.34	1.30	0.98-1.57 2.36	3.62 3.35	0.26	4	4.33	3.01	0.39	1.54	2.95	2.91	2.78

Fig.1

NOTE: Dimensions with coarse degree of accuracy related to UNI 22768/1



CHICAGO VIBRATOR PRODUCTS
WESTMONT, IL 60559
800-842-7284
630-920-9411
www.ChicagoVibrator.com
solutions@chivib.com