

Pneumatic Design Series Vibrators Performance Data											
Vibrator Model	Unbalance	Pressure	40 psi (2.8 bar)			60 psi (4.1 bar)			80 psi (5.5 bar)		
		Start-Up	Speed	Flow	Force	Speed	Flow	Force	Speed	Flow	Force
	lb-in kg-mm	psi bar	rpm	cfm Lpm	lb kN	rpm	cfm Lpm	lb kN	rpm	cfm Lpm	lb kN
C3-1.5-4AC	1.5	8	4,400	41	820	5,150	55	1,130	5,650	74	1,360
	17	0.6		1,161	4		1,557	5		2,095	6
C3-2.0-4AC	2.0	8	4,310	40	1,050	4,980	54	1,410	5,500	73	1,720
	23	0.6		1,133	5		1,529	6		2,067	8
C3-2.5-4AC	2.5	8	4,220	39	1,260	4,820	53	1,650	5,350	72	2,030
	29	0.6		1,104	6		1,501	7		2,039	9
C3-3.0-4AC	3.0	8	4,130	38	1,450	4,650	52	1,840	5,200	71	2,300
	35	0.6		1,076	6		1,472	8		2,010	10
C3-4.0-4AC	4.0	10	4,050	37	1,860	4,540	51	2,340	5,170	70	3,040
	46	0.7		1,048	8		1,444	10		1,982	14
C3-5.0-4AC	5.0	13	3,980	36	2,250	4,440	51	2,800	5,130	70	3,740
	58	0.9		1,019	10		1,444	12		1,982	17
C3-6.0-4AC	5.9	18	3,900	35	2,544	4,330	50	3,136	5,100	69	4,350
	68	1.2		991	11		1,416	14		1,954	19
D4.5-6-4AC CC4.5-6-4AC	6.0	18	3,950	35	2,660	4,250	57	3,080	4,500	65	3,450
	69	1.2		991	12		1,614	14		1,841	15
D4.5-8-4AC CC4.5-8-4AC	8.0	18	3,600	30	2,940	3,900	48	3,460	4,300	64	4,200
	92	1.2		850	13		1,359	15		1,812	19
D4.5-10-4AC CC4.5-10-4AC	10.0	18	3,350	32	3,190	3,700	47	3,890	3,900	62	4,320
	115	1.2		906	14		1,331	17		1,756	19
D7-12-6AC CC7-12-6AC	12.0	15	4,000	55	5,450	5,250	85	9,390	Operation Not Recommended at pressures above 60 psi.		
	138	1.0		1,557	24		2,407	42			
D7-18-6AC CC7-18-6AC	18.0	18	3,550	54	6,440	4,650	82	11,050	5,400	114	14,910
	207	1.2		1,529	29		2,322	49		3,228	66
D7-25-6AC CC7-25-6AC	25.0	20	3,300	52	7,730	4,400	81	13,750	5,050	109	18,110
	288	1.4		1,472	34		2,294	61		3,087	81

Pneumatic Design Series Vibrator Dimensions									
Vibrator Model	Weight	A	B	C	D	E	F	G	H
		Height	Length	Width	Foot Width	Foot Thickness	Bolt Hole	Bolt Centers	Air Motor Port Size
	lb	in	in	in	in	in	in	in	in
	kg	mm	mm	mm	mm	mm	mm	mm	
C3	44.00	8.12	9.62	11.00	3.00	0.88	0.78	8.00	1/2 - 14 NPT
	19.96	206	244	279	76	22	20	203	
D4.5	52.00	8.38	11.24	12.00	4.00	1.00	0.65	10.0 X 2.5	1/2 - 14 NPT
	23.59	213	285	305	102	25	17	254 X 64	
D7	104.00	11.50	18.00	13.50	6.00	1.40	0.78	16.0 X 2.0	3/4 - 14 NPT
	47.17	292	457	343	152	36	20	406 X 51	
CC4.5	61.00	8.60	11.45	12.50	0.88	N/A	Clamp	9.25	1/2 - 14 NPT
	27.67	218	291	318	22			235	
CC7	96.00	11.38	13.84	14.50	1.12	N/A	Clamp	11.25	3/4 - 14 NPT
	43.54	289	352	368	28			286	



D Series Bolt-on Style



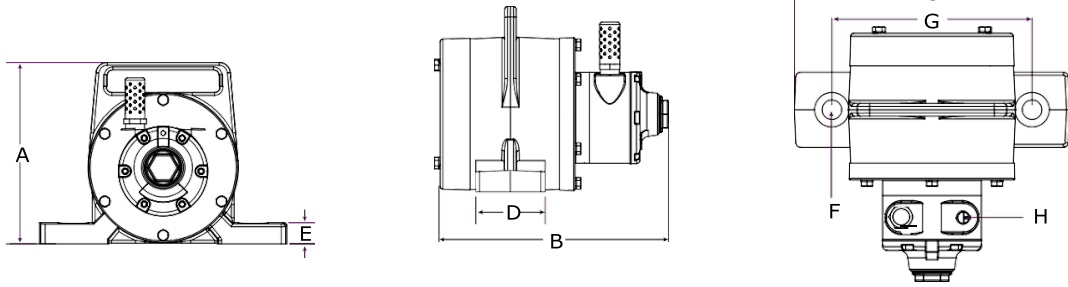
C3 Series



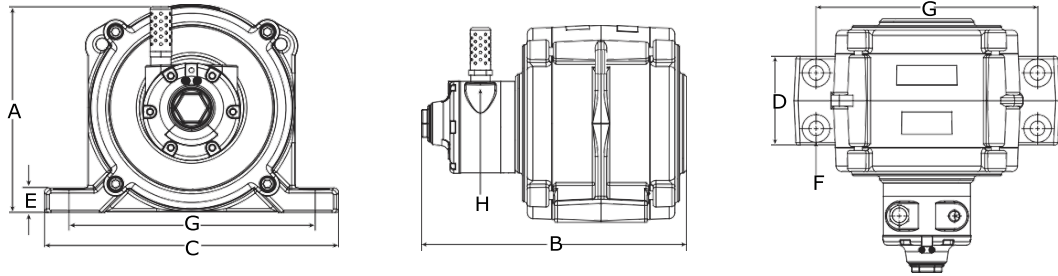
CC Series Clamp-on Style

Pneumatic Design Series Vibrator Dimensional Drawings

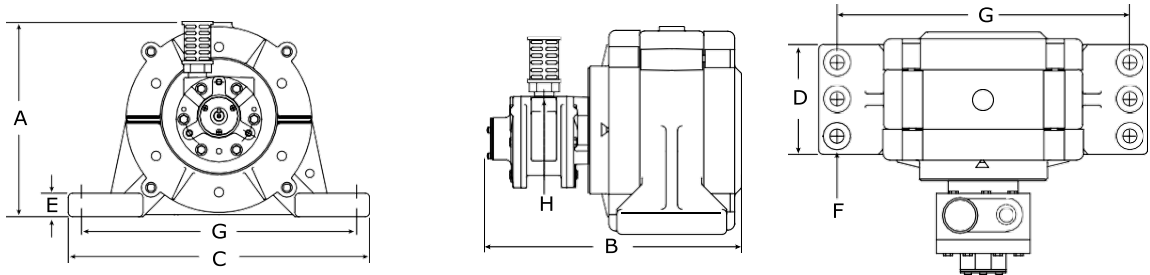
C3



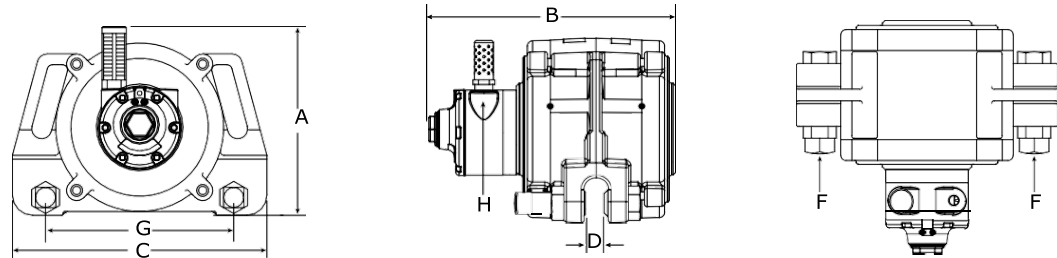
D4.5



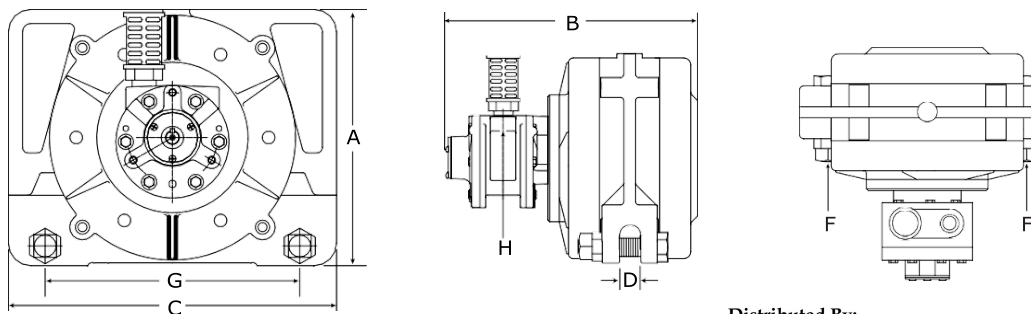
D7



CC4.5



CC7



Distributed By: