

# POWTEK

## CRADLE LUG BRACKET



### DESCRIPTION

The quick disconnect lug bracket is the interface between the concrete vibrator and the form to be vibrated.

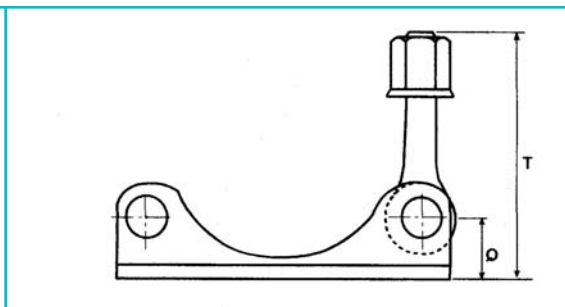
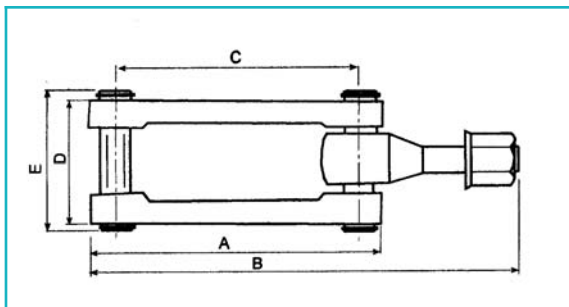
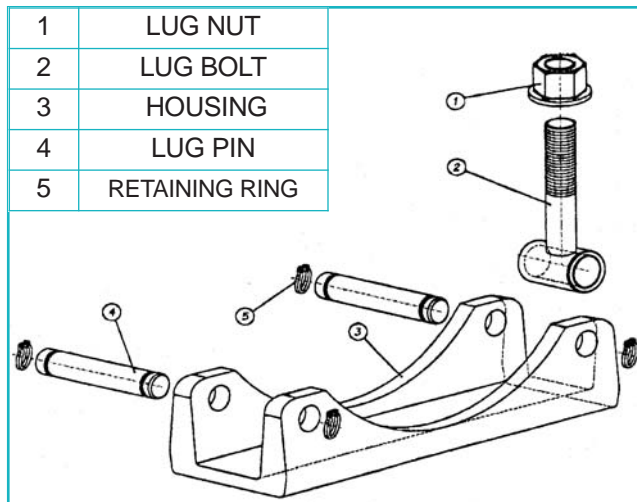
It is quick since it uses only one bolt. When an array of brackets is needed, the single toggle bolt is all that is needed to move the vibrator from one bracket to another following the concrete pouring.

### FEATURES

Heavy duty rugged cast steel construction.

15 lbs of rugged steel helps to endure any possible operator abuse and to outlast most other kinds of mounting bracket.

Works with all brands of dual roller vibrators



### DIMENSIONS

		A	B	C	D	E	G	F	Q	T
<b>M 23</b>	Inches	9.5"	13.5"	7.40"	3.34"	4"	2.36"	0.50"	1.89"	7.48"
	mm	241	343	188	85	101	60	13	48	190
<b>M 17</b>	Inches	7.00"	9.96"	5.59"	3.66"	4.13"	2.36"	0.50"	1.65"	5.63"
	mm	178	253	142	93	105	60	13	42	143