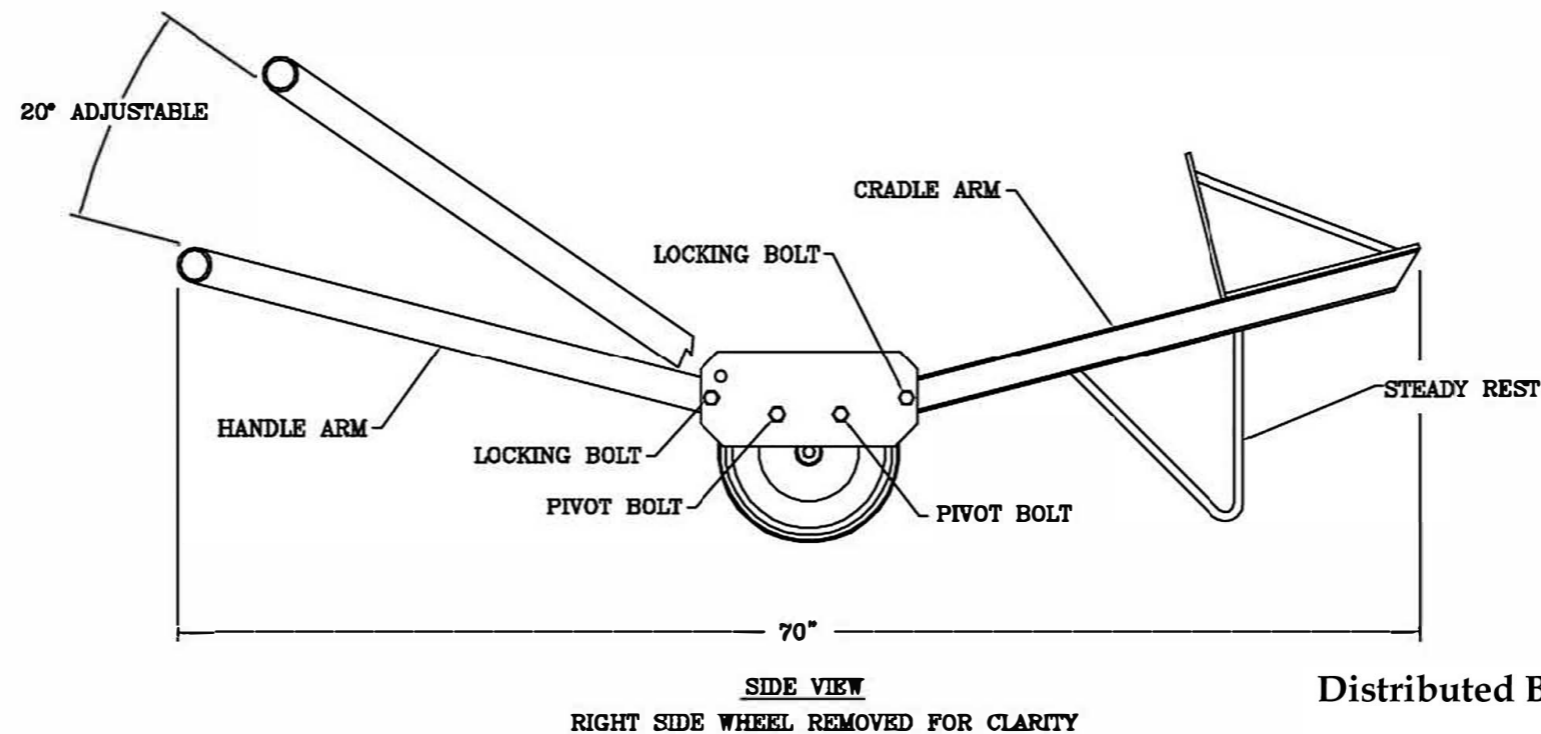
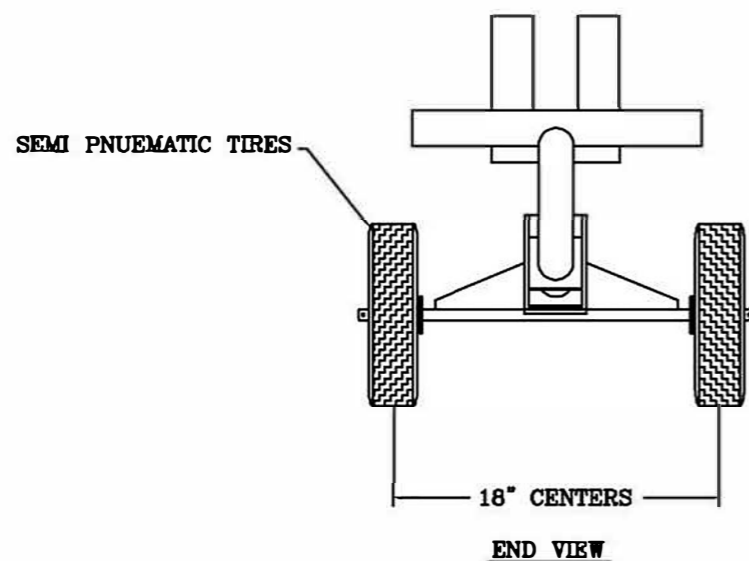
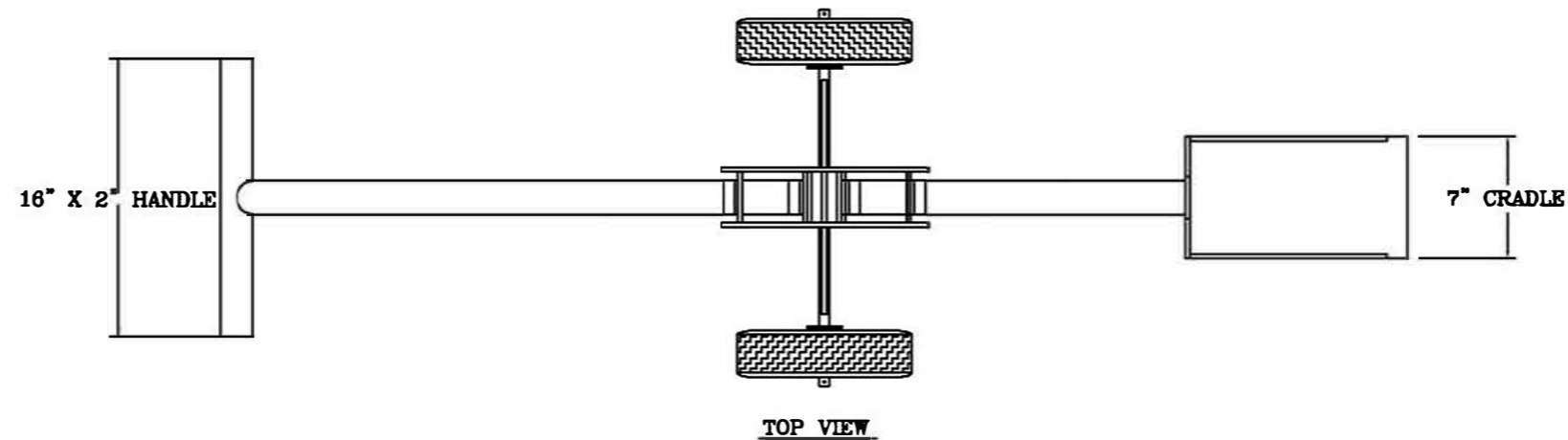
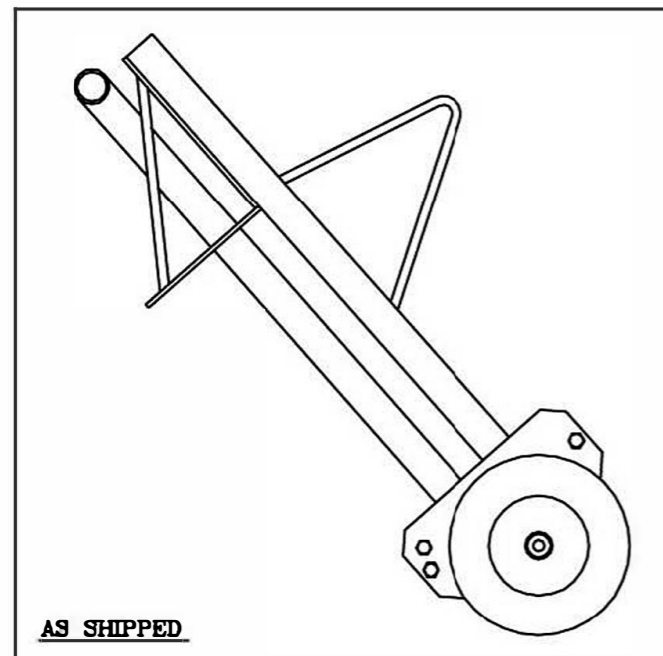




HCV/QMC RAILCAR VIBRATOR CART USER ASSEMBLY MANUAL



Distributed By:

ChicagoVibratorProducts
Flow and Compaction

Division of CVP Group
800-842-7284 (P)
866-247-7538 (F)
Solutions@ChiVib.com
www.ChicagoVibrator.com

ASSEMBLY / ADJUSTMENT INSTRUCTIONS:

1. REMOVE PACKING MATERIAL AND PLACE ON SUITABLE WORK SURFACE
2. USING 3/4" WRENCH LOSEN 'PIVOT' BOLTS (DO NOT REMOVE)
3. USING 3/4" WRENCH LOSEN AND REMOVE 'LOCKING' BOLTS
4. SWING HANDLE ARM INTO EITHER 'LOCKING' POSITION AND SECURE WITH BOLT
5. SWING CRADLE ARM INTO 'LOCKING' POSITION AND SECURE WITH BOLT
6. TIGHTEN PIVOT AND LOCKING BOLTS UNTIL ARMS ARE SECURE