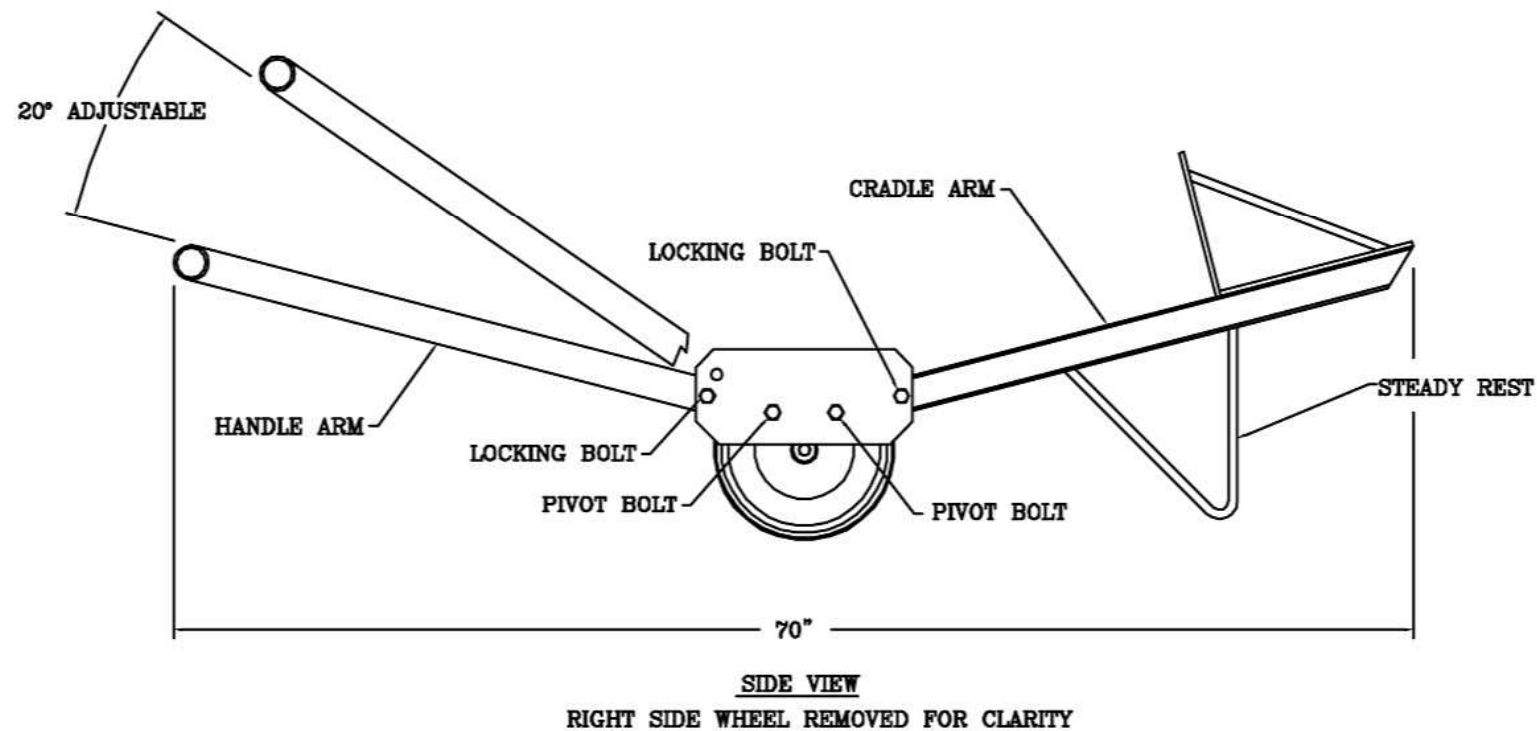
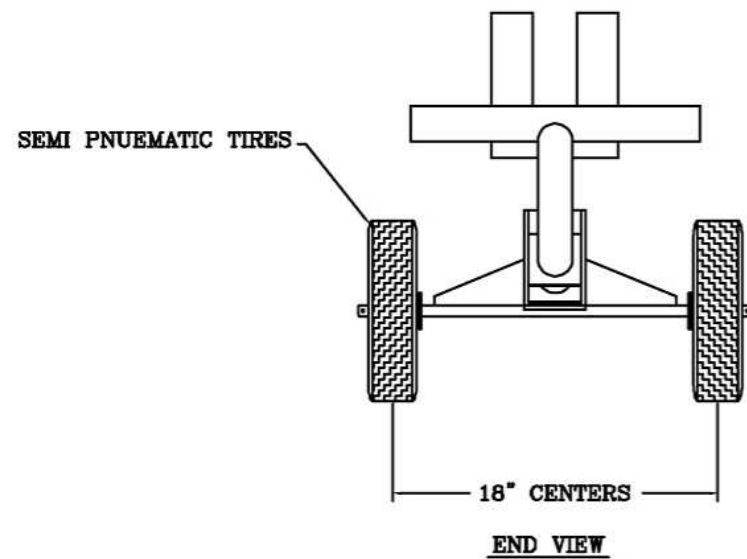
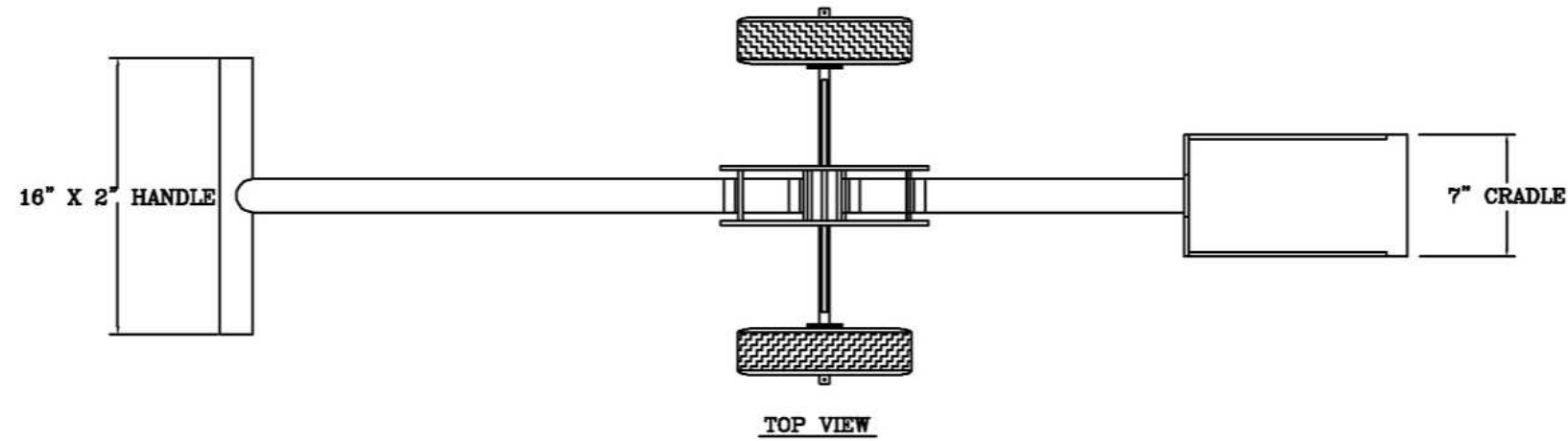
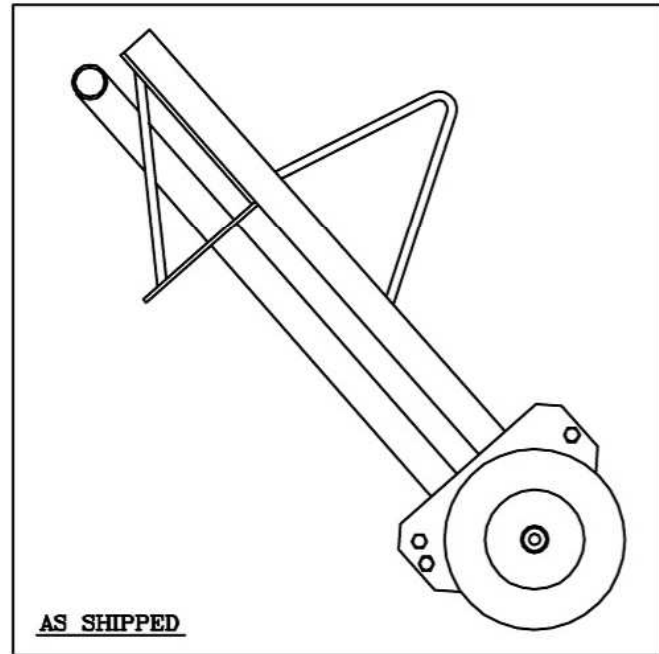


# HCV/QMC RAILCAR VIBRATOR CART USER ASSEMBLY MANUAL



## ASSEMBLY / ADJUSTMENT INSTRUCTIONS:

1. REMOVE PACKING MATERIAL AND PLACE ON SUITABLE WORK SURFACE
2. USING 3/4" WRENCH LOSEN 'PIVOT' BOLTS (DO NOT REMOVE)
3. USING 3/4" WRENCH LOSEN AND REMOVE 'LOCKING' BOLTS
4. SWING HANDLE ARM INTO EITHER 'LOCKING' POSITION AND SECURE WITH BOLT
5. SWING CRADLE ARM INTO 'LOCKING' POSITION AND SECURE WITH BOLT
6. TIGHTEN PIVOT AND LOCKING BOLTS UNTIL ARMS ARE SECURE

CHICAGO VIBRATOR PRODUCTS

Division of CVP Group, Inc.

Westmont, IL 60559

[www.chicagovibrator.com](http://www.chicagovibrator.com)

800-842-7284

866-247-7538 (F)