

GT

GOLDEN TURBINE VIBRATOR



How It Works

An aluminum wheel with brass weights punched in develops the eccentric force.

It spins on a shaft connected to the endplate and supported by two bearings.

Features

Noise level never exceeds **75 dba**.

Bearings come pregreased, **no lubrication** is required.

Bearings are **oversized** to dramatically increase vibrators' life.

Can be used at **temperatures** of up to **230°F** (280°F for the GT4 & GT6)

GT "S" models use unbalance weights of heavy metal (*instead of the standard brass*) that produces a **slower frequency** and a **higher amplitude**.

Design

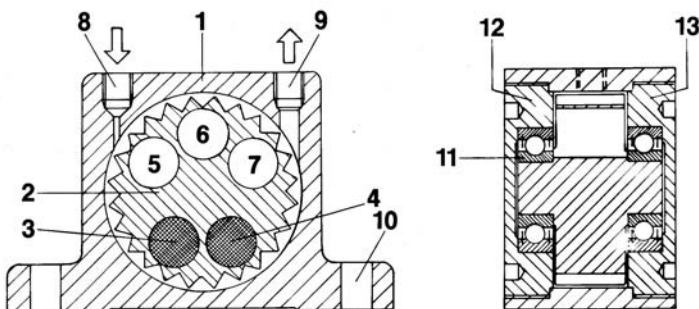
The vibration is produced by the centrifugal force of the positive and negative unbalanced moments in the rotor.

The rotor is supported on two heavy duty, prelubricated, matched shielded ball bearings.

A special long life grease ensures a long working life.

The inner and outer raceways of the bearings are designed so that the bearings can be easily replaced using only a pin-wrench.

The endplates are fitted with right- and left-hand threads and are self-locking.



- | | |
|---|---------------------------------------|
| 1. Extruded aluminum body | 11. Self lubricated bearings. |
| 2. Hardened aluminum rotor. | 8. BSP tapped air inlet. |
| 3-4. Brass weights. | 9. BSP tapped air exhaust. |
| 5-6-7. Cavities giving negative moment. | 12-13. Hard coated aluminum endplates |
| 10. Standard bolt holes. | |

Benefits

17 sizes with force output ranging between 25 and 1600 lbs.

No metal-to-metal contact reduces noise and wear.

Because vibrator life is determined primarily by the bearing life, regular replacement of the bearings can extend vibrator life indefinitely.

Aluminum body construction and absence of airline lubrication allows use in many special environment such as food, chemical and pharmaceutical industries.

Develops little or no heat and can operate under adverse conditions of grit, water, rust, heat and cold.

Will not rust in extremely humid conditions.



GT Vibrators produce a sinusoidal vibration that brings material much better into resonance than linear vibrators.
Frequency can be adjusted by using a pressure or a flow regulator.

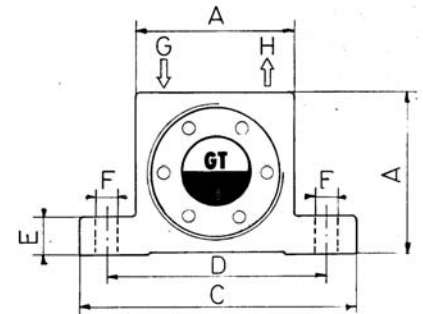
Turbine Vibrators are used to separate or compact materials. One common application is to empty bins, silos and hoppers. Although the result is feeding material, the job of the vibrator is first to separate a clogged product in order to free it. Once it is freed, it will move just by gravity.

PERFORMANCE DATA

MODEL	FREQUENCY			FORCE OUTPUT			AIR CONSUMPTION		
	30 PSI	60 PSI	90 PSI	30 PSI	60 PSI	90 PSI	30 PSI	60 PSI	90 PSI
	vpm	vpm	vpm	lbs	lbs	lbs	cfm	cfm	cfm
GT 4	14000	15000	16000	25	35	45	1.7	3	4
GT 6	11000	12000	13000	32	50	60	1.8	3	4
GT 8	35000	41000	45000	220	450	640	2	3	4
GT 10	27000	34000	37000	190	290	520	2	3	4
GT 10S	17000	23000	25000	140	260	440	2	3	4
GT 13	25000	29000	32000	310	530	830	4	7	10
GT 16	16000	21000	23000	290	450	700	4	7	10
GT 16S	11000	15000	17000	250	420	600	4	7	10
GT 20	16000	20000	23000	470	870	1200	6	12	16
GT 25	12000	16000	18000	450	780	1100	6	12	16
GT 25S	8000	11000	13000	500	800	1150	6	12	16
GT 30	12000	14000	16000	670	1100	1350	12	12	26
GT 36	7500	10000	13000	760	1150	1500	12	19	26
GT 36S	5000	6500	8000	800	1400	1650	12	18	26
GT 40	6500	8000	9500	1200	1650	2200	15	24	34
GT 48	5500	7000	8500	1300	1700	2350	15	24	34
GT 48S	N.A.	4500	6000	1250	1650	2700	15	24	34

DIMENSIONS

MODEL	A	Width	C	D	E	F	G(BSP)	H(BSP)	Weight (lbs)
GT 4	1.77"	1.17"	2.78"	2.27"	0.37"	0.28"	1/8"	1.8"	0.38 lbs
GT 6	1.77"	1.17"	2.78"	2.27"	0.37"	0.28"	1/8"	1.8"	0.38 lbs
GT 8	1.97"	1.30"	3.39"	2.68"	0.47"	0.28"	1/8"	1.8"	0.56 lbs
GT 10	1.97"	1.30"	3.39"	2.68"	0.47"	0.28"	1/8"	1.8"	0.56 lbs
GT 10 S	1.97"	1.30"	3.39"	2.68"	0.47"	0.28"	1/8"	1.8"	0.56 lbs
GT 13	2.56"	1.69"	4.45"	3.54"	0.63"	0.35"	1/4"	1/4"	1.28 lbs
GT 16	2.56"	1.69"	4.45"	3.54"	0.63"	0.35"	1/4"	1/4"	1.28 lbs
GT 16 S	2.56"	1.69"	4.45"	3.54"	0.63"	0.35"	1/4"	1/4"	1.28 lbs
GT 20	3.15"	2.17"	5.04"	4.09"	0.63"	0.35"	1/4"	1/4"	2.6 lbs
GT 25	3.15"	2.17"	5.04"	4.09"	0.63"	0.35"	1/4"	1/4"	2.6 lbs
GT 25 S	3.15"	2.17"	5.04"	4.09"	0.63"	0.35"	1/4"	1/4"	2.6 lbs
GT 30	3.94"	2.95"	6.30"	5.12"	0.79"	0.43"	3/8"	3/8"	5.1 lbs
GT 36	3.94"	2.95"	6.30"	5.12"	0.79"	0.43"	3/8"	3/8"	5.1 lbs
GT 36 S	3.94"	2.95"	6.30"	5.12"	0.79"	0.43"	3/8"	3/8"	5.5 lbs
GT 40	4.72"	3.26"	7.64"	5.99"	0.94"	0.67"	3/8"	3/8"	8.5 lbs
GT 48	4.72"	3.26"	7.64"	5.99"	0.94"	0.67"	3/8"	3/8"	8.5 lbs
GT 48 S	4.72"	3.26"	7.64"	5.99"	0.94"	0.67"	3/8"	3/8"	9.5 lbs




Chicago Vibrator Products
Flow and Compaction

Division of CVP Group
800-842-7284 (P)
866-247-7538 (F)
Solutions@ChiVib.com
www.ChicagoVibrator.com