

**Lightweight Stud-Mount Piston Vibrators**



FP Series Pneumatic Piston Vibrators are explosion-proof, lightweight, compact, durable, efficient, and quiet. They are easy to install and maintain, and are designed to work continuously in the most rigorous conditions. Hard-coated alloy bodies are corrosion resistant for long life. The FP's produce a linear vibration, with forces as low as 7.2 pounds to over 320 pounds, and frequencies from 2400 to 9300 VPM, depending on the model and air pressure. FP Series Pneumatic Piston Vibrators can be mounted in any position, and amplitude and frequency are infinitely adjustable by varying the air pressure. The piston is air cushioned, and a unique exhaust system absorbs noise for quiet operation. The power to weight ratio of the unit makes it ideal for many applications, especially the feeding of chemical powders, seeds, grains, small parts, flour, sugar, and other food products.

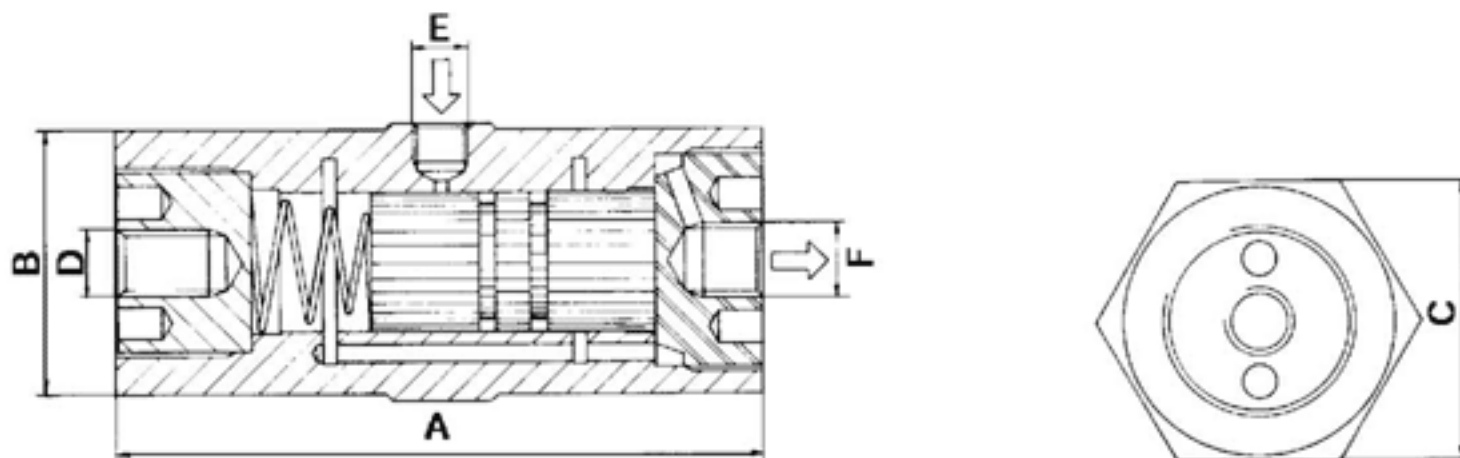


## PERFORMANCE DATA

MODEL	FREQUENCY VPM			LINEAR FORCE						AIR CONSUMPTION PER MINUTE						NOISE LEVEL	
	2 BAR	4 BAR	6 BAR	2 BAR=29 PSI		4 BAR=58 PSI		6 BAR=87 PSI		2 BAR=29 PSI		4 BAR=58 PSI		6 BAR=87 PSI		dBA*	dBA**
	29 PSI	58 PSI	87 PSI	N	LB	N	LB	N	LB	LTR	CF	LTR	CF	LTR	CF		
FP-12-S	6.200	7.800	9.300	34	7.7	70	16	92	21	0.8	0.03	7.5	0.26	25	0.88	57-61	
FP-12-M	5.000	6.000	6.700	34	7.7	58	13	74	17	0.5	0.02	4	0.14	19	0.67	57-61	
FP-12-L	4.000	4.800	5.400	32	7.2	58	13	81	18	1	0.04	3	0.11	20	0.71	58-60	
FP-18-S	5.000	6.400	7.700	66	15	134	30	187	42	5	0.18	33	1.16	57	2.00	62-71	
FP-18-M	4.000	5.000	5.900	68	15	134	30	188	42	4	0.14	28	1.00	52	1.84	61-67	
FP-18-L	3.100	4.000	4.600	64	14	150	34	206	46	5	0.18	23	0.81	46	1.62	61-68	
FP-25-S	3.600	4.300	5.500	126	28	270	61	416	94	13	0.46	54	1.91	93	3.28	70-75	61-67
FP-25-M	3.000	3.800	4.200	142	32	364	82	504	113	23	0.81	50	1.76	87	3.07	73-75	62-66
FP-25-L	2.400	3.100	3.700	186	42	392	88	594	134	18	0.64	62	2.19	93	3.28	72-75	60-65
FP-35-S	3.800	4.700	5.800	294	66	668	150	1038	234	23	0.81	101	3.56	162	5.72	72-77	71-73
FP-35-M	3.000	4.000	4.600	248	56	778	175	1080	243	24	0.85	83	2.93	141	4.98	74-78	70-73
FP-35-L	2.400	3.100	3.600	282	63	680	153	1066	240	38	1.34	89	3.14	135	4.77	74-80	68-74

Data obtained with a Kistler Dynamometer on a heavy laboratory test block.  
Frequency and force will decrease on a less rigid mount

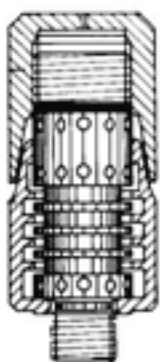
\* with customary silencer  
\*\* with 1/4" Free-Flow Silencer



## DIMENSIONAL DATA

MODEL	A		WIDTH		B		D Metric Thread	E* Thread BSP	F* Thread BSP	Weight of Body		Weight of Piston		Total Weight	
	mm	inch	mm	inch	mm	inch				kg	Lbs	kg	Lbs	kg	Lbs
FP-12-S	71	2.80								0.125	0.275	0.020	0.045	0.145	0.320
FP-12-M	81	3.19	31	1.22	34	1.34	M-8	1/8"	1/8"	0.140	0.309	0.030	0.066	0.170	0.375
FP-12-L	94	3.71								0.165	0.360	0.040	0.090	0.205	0.450
FP-18-S	91	3.19								0.220	0.485	0.060	0.135	0.280	0.620
FP-18-M	94	3.70	40	1.57	42	1.65	M-10	1/8"	1/8"	0.260	0.575	0.080	0.175	0.340	0.750
FP-18-L	109	4.29								0.300	0.660	0.110	0.240	0.410	0.900
FP-25-S	98	3.86								0.375	0.825	0.155	0.345	0.530	1.170
FP-25-M	116	4.57	48	1.89	50	1.97	M-12	1/8"	1/4"	0.435	0.955	0.215	0.475	0.650	1.430
FP-25-L	136	5.35								0.500	1.100	0.290	0.640	0.790	1.740
FP-35-S	98	3.86								0.530	1.170	0.315	0.690	0.845	1.860
FP-35-M	116	4.57	58	2.28	65	5.56	M-12	1/4"	1/4"	0.610	1.345	0.430	0.950	1.040	2.290
FP-35-L	136	5.53								0.700	1.540	0.580	1.280	1.280	2.820

\*will accept NPT



The 1/4" Free-Flow silencer (for use with models FP-25 and FP-35) employs the principal of diffusion via a flow labyrinth and eliminates the clogging problems encountered with conventional filter-type silencers.

The silencer also incorporates a flow restrictor which makes it possible to select and hold a given amplitude.

The 1/4" Free-Flow silencer can either be fitted in the vibrator, or positioned as a remote control device.

By correct adjustment of the flow restrictor, the dB value can be decreased by up to 50%.

The Free-Flow silencers are machined from acetal resin POM – Black.

**CHICAGO VIBRATOR PRODUCTS**  
**WESTMONT, IL 60559**  
**1-800-842-7284 US & CANADA**  
**630-920-9411 INTERNATIONAL**  
[WWW.CHICAGOVIBRATOR.COM](http://WWW.CHICAGOVIBRATOR.COM)