



# ChicagoVibratorProducts

*Flow and Compaction*

Connecting our customers to the finest products since 1956

*Authorized Dealers of*



**COUGAR® TRUCK VIBRATORS**



---

*Address: 500 Park Blvd, Suite 151C, Itasca, IL 60143*

*Website: [www.ChicagoVibrator.com](http://www.ChicagoVibrator.com)*

*Phone: [1-800-842-7284](tel:1-800-842-7284)*



# VIBRATOR SELECTION



	Dump Truck			Dump Truck Tandem Live Bottom	Spreaders Slide-In	Spreaders Mounted	Spreaders Tailgate or ATV
	1-5 Yards	5-10 Yards	11+ Yards	15-30 Yards	3-10 Yards	5-10 Yards	
<b>DC-3200</b>			X	X			
<b>DC-2700</b>		X				X	
<b>DC-2500</b>		X				X	
<b>DC-1600</b>	X				X	X	
<b>DC-1100</b>	X				X		
<b>MDCV-700</b>					X		
<b>MDC-400</b>					X		
<b>SDC-200</b>					X		X
<b>SDC-100</b>							X
<b>SDC-40</b>							X
<b>THD-2500 Hydraulic</b>		X	X	X			
<b>THD-1600 Hydraulic</b>	X						
<b>AP5-200 Pneumatic</b>							
<b>AP5-125</b>							
<b>ATU-43</b>							





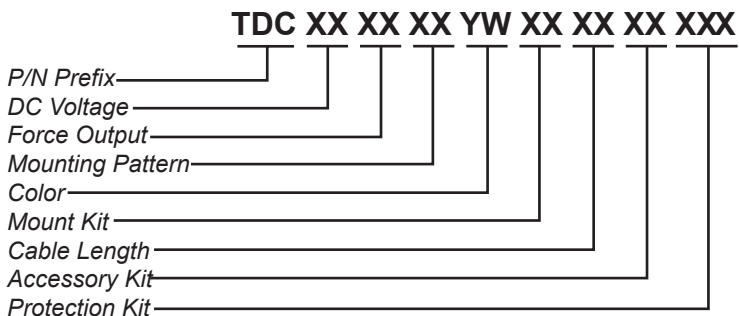
Concrete Pumper	Sanitations, Pumper, and Vacuum Trucks	Volumetric Mixers	Mixer Trucks	Grain Trailers	Fertilizer Tenders
	X				
	X				
	X				
		X			X
X					
X					
	X				
		X		X	
				X	
			X		



# Cougar® DC Truck Vibrators



## NOMENCLATURE



### DC VOLTAGE

- 12: 12 Volt
- 24: 24 Volt

### FORCE OUTPUT

- 11: 1100 Lbs
- 16: 1600 Lbs
- 25: 2500 Lbs
- 27: 2700 Lbs
- 32: 3200 Lbs

### MOUNTING PATTERN

- 4M: Rectangular Pattern  
2.00" x 8.00"
- 2V: In-line Pattern  
8.50" Between Center
- 2M: In-line Pattern  
8.00" Between Center

### MOUNT KIT

- MO: No Mount Kit
- MA: Aluminum Mount Plate
- MS: Steel Mount Plate
- MB: Hardware Only

### CABLE LENGTH

- CO: No Cord
- 25: 25 ft
- 40: 40 ft
- 70: 70 ft

### ACCESSORY KIT

- AO: No Accessory Kit
- 06: #6 Kit

### PROTECTION KIT

- PRO: No Protection Kit
- 1CO: 2-Year Warranty  
(circuit breaker)
- 3CT: 3-Year Warranty  
(circuit breaker and timer)

## FEATURES

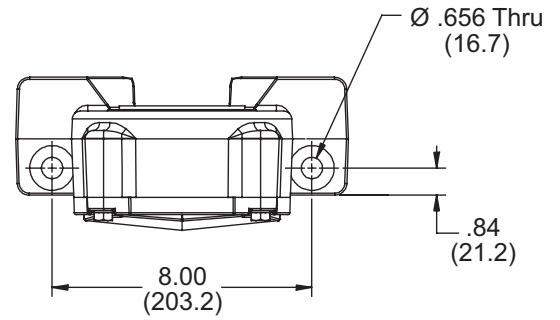
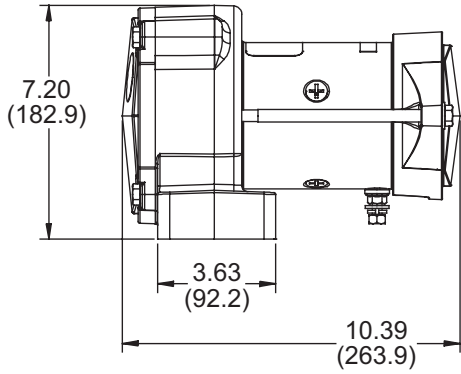
- Up to 3200 pounds of vibratory force to improve the unloading of wet, sticky, fibrous or even frozen material.
- Small, lightweight units require minimal space.
- Weather-proof aluminum housing provides high output to weight ratio.
- Sealed ball bearings eliminate lubrication requirements.
- Supplied with mounting hardware and electrical connections

### Specify Cougar for:

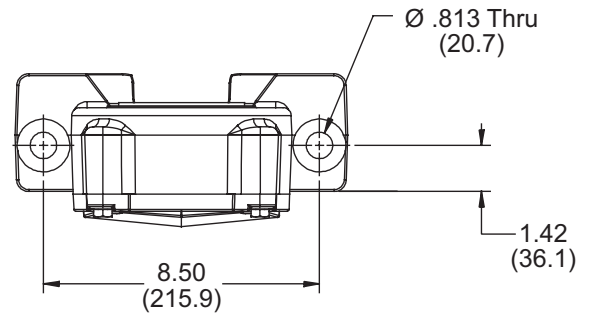
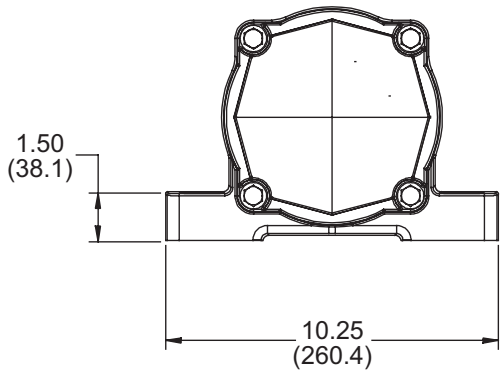
- Cost effective solutions
- Expert technical assistance
- Complete service and support



# TECHNICAL DATA SHEET



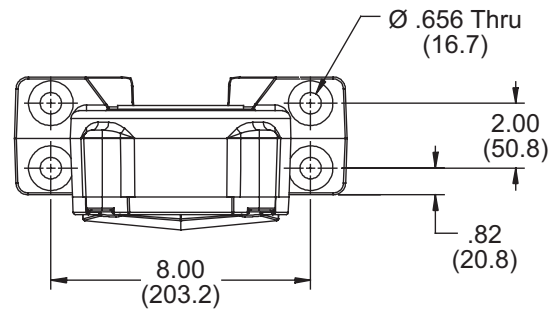
**TDCXX-XXXX-2M**



**TDCXX-XXXX-2V**

## PERFORMANCE DATA

Model	Volts	Average Amps	Max Force Lbs
TDC12-1100	12	45	1100
TDC12-1600	12	46	1600
TDC12-2500	12	46	2500
TDC12-2700	12	50	2700
TDC12-3200	12	53	3200
TDC24-1100	24	29	1100
TDC24-1600	24	30	1600
TDC24-2500	24	30	2500
TDC24-2700	24	33	2700
TDC24-3200	24	36	3200



**TDCXX-XXXX-4M**

Distributed By:



**ChicagoVibratorProducts**  
*Flow and Compaction*  
 Division of CVP Group  
 800-842-7284 (P)  
 866-247-7538 (F)  
 Solutions@ChiVib.com  
 www.ChicagoVibrator.com

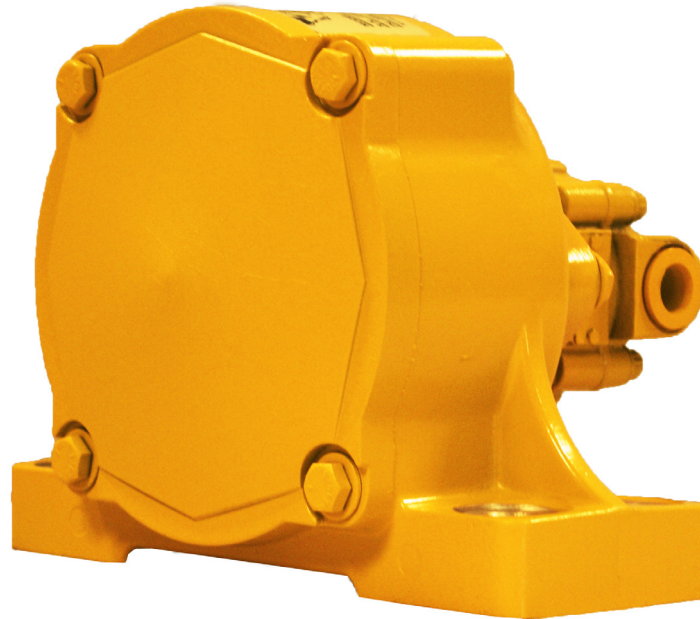
**COMPANY WITH  
 QUALITY SYSTEM  
 CERTIFIED BY DNV  
 = ISO 9001:2008 =**

**COUGAR**  
**VIBRATION SOLUTIONS**

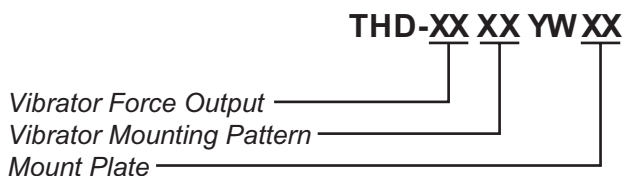
**Problem Solved™ GUARANTEED!**

Form No. L4076-01/17  
 © Martin Engineering Company 2017

# Cougar® THD Vibrators



## NOMENCLATURE



### VIBRATOR FORCE OUTPUT

- 25:** 2500 lbs
- 16:** 1600 lbs

### VIBRATOR MOUNTING PATTERN

- 4M:** Qty 4, 5/8 Bolts, 2.00" x 8.00" Rectangular Pattern
- 2V:** Qty 2, 3/4 Bolts, 8.50" Between Center, In-Line Pattern

### MOUNT PLATE

- MO:** Without Mount Plate
- MS:** Steel Mount Plate
- MA:** Aluminum Mount Plate

## FEATURES

- Built from high-strength aluminum for maximum durability.
- Efficient motor designed for minimal power consumption.
- Low Maintenance
- Designed to create more force per size/weight.
- Variable Speed
- Continuous Duty

### Specify Cougar for:

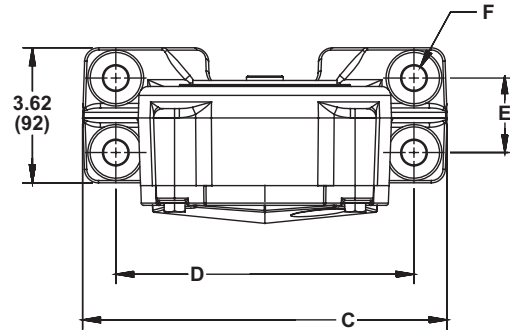
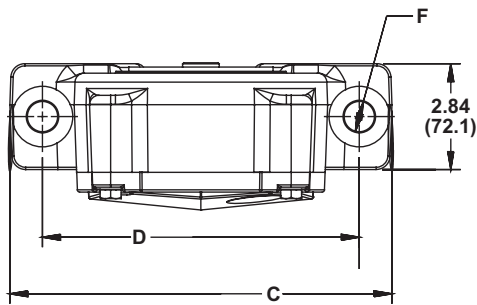
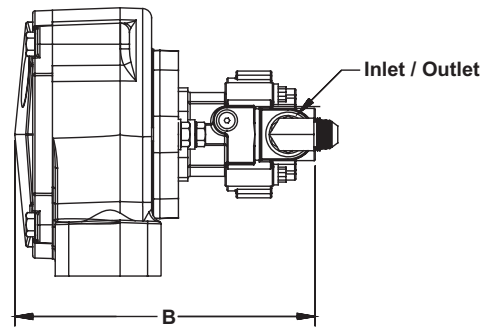
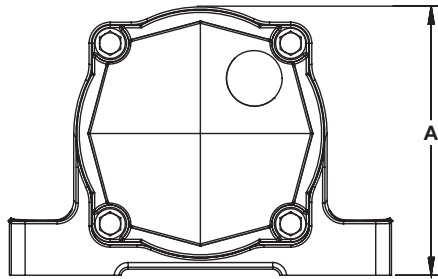
- Cost effective solutions
- Expert technical assistance
- Complete service and support

Distributed by:



Phone: 1-800-842-7284  
 Website: [www.ChicagoVibrator.com](http://www.ChicagoVibrator.com)  
 Email: [solutions@chivib.com](mailto:solutions@chivib.com)

# TECHNICAL DATA SHEET



**THD-XXXX-2V MOUNTING PATTERN**

**THD-XXXX-4M MOUNTING PATTERN**

Model	P/N	A	B	C	Mounting		Bolt Size	Inlet	Outlet	Weight lbs
					D	E	F			
THD-1600	THD-16-4M-YW-MO	7.2	8.06	10.25	8	2	5/8	SAE 8	SAE 8	25
THD-1600	THD-16-2V-YW-MO	7.2	8.06	10.25	8.50	—	3/4	SAE 8	SAE 8	25
THD-2500	THD-25-4M-YW-MO	7.2	8.06	10.25	8	2	5/8	SAE 8	SAE 8	25
THD-2500	THD-25-2V-YW-MO	7.2	8.06	10.25	8.50	—	3/4	SAE 8	SAE 8	25

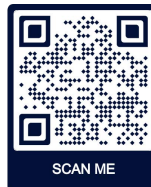
Model	In/lbs	VPM	Force	GPM	VPM	Force	GPM	VPM	Force	Max GPM	Max Pressure
THD-1600	3.125	1000	89	.944	2500	555	2.359	4000	1420	3.775	2000 PSI
THD-2500	6.051	1000	172	.944	2500	1074	2.359	4000	2750	3.775	2000 PSI

Data from vibrator mounted to a 10,000 lb test block. Frequency and force will decrease on a less rigid mount.

Distributed By:



**ChicagoVibratorProducts**  
*Flow and Compaction*  
 Division of CVP Group  
 800-842-7284 (P)  
 866-247-7538 (F)  
 Solutions@ChiVib.com  
 www.ChicagoVibrator.com

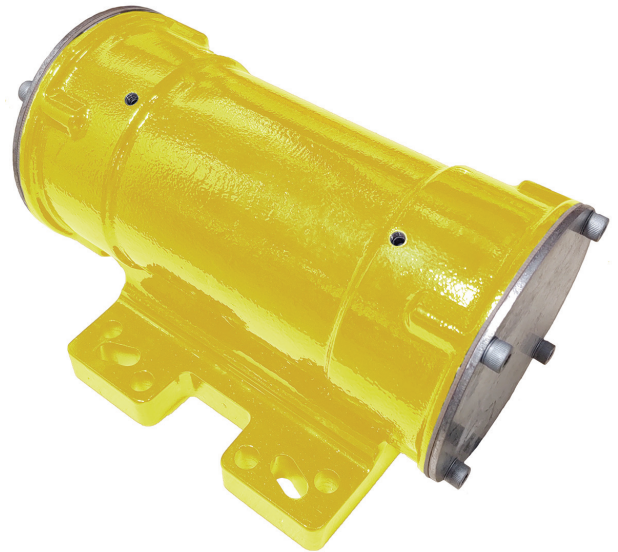
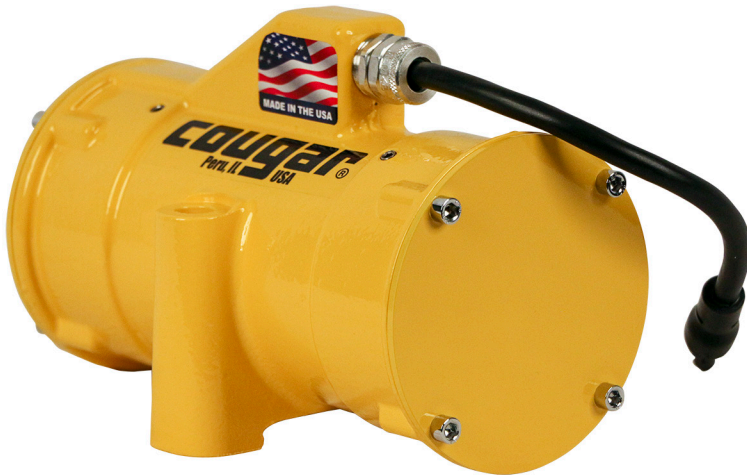


**COMPANY WITH  
 QUALITY SYSTEM  
 CERTIFIED BY DNV  
 = ISO 9001:2008 =**

**Problem Solved™ GUARANTEED!**

Form No. L4023-02/20  
 © Martin Engineering Company 2015, 2020

# Cougar® DC Truck Vibrator - MDCV400/700 & MDC400/700



**Cougar® DC Truck Vibrators** solve problems in the unloading of material from mobile equipment. Powered by either 12 or 24-volt DC, the Cougar® Models MDCV12-400/700 and MDC12-400/700 provides effective vibration to improve material movement. These heavy-duty vibrators are suitable for applications such as concrete pumps, fertilizer, gravel, sand and salt-spreaders, dump trucks and other mobile equipment where sticky or compacted material causes hang-ups and slow unloading.

## BENEFITS

- **Dust-Tight/Water-Tight**  
O-ring seals and machined surfaces provide protection against the entry of water and dust for an IP 66 rating.
- **High Efficiency**  
New high efficiency motor design requires less current to operate putting less stress on your electrical system and allowing vibrator to run cooler.
- **Low Maintenance**  
Sealed bearings eliminate lubrication requirements and keep contaminants out.
- **Force Output Options**  
Available in either 400 or 700 lbs force options.
- **Mounting Options**  
Two different models offer a total of five different mounting patterns.
- **Terminal Box Filled with Silicon Rubber**  
For added protection against moisture and other contaminants.
- **New Oversized Permanent Magnet Design**  
Reduces operating current.
- **Smooth External Surfaces**  
Eliminates material buildup.
- **Dependable Performance**  
Covered by Martin Engineering's 2-Year Warranty.

Distributed by:

**ChicagoVibratorProducts**  
Flow and Compaction



Phone: 1-800-842-7284  
Website: [www.ChicagoVibrator.com](http://www.ChicagoVibrator.com)  
Email: [solutions@chivib.com](mailto:solutions@chivib.com)



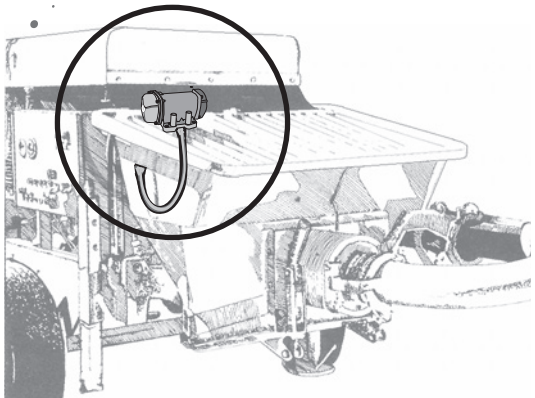
# TECHNICAL DATA SHEET

## PERFORMANCE DATA

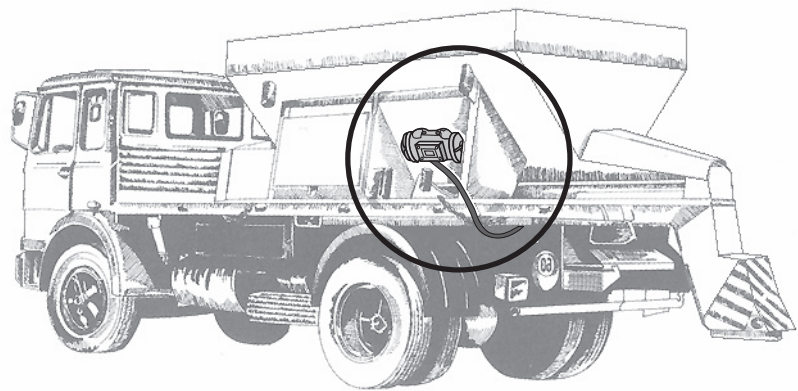
Model	Volt	Force Output		Weight		Max. Amp Draw
		lbs	kg	lbs	kg	
MDCV12-400-MM-XX-A0	12	400	181	7	3.2	13
MDCV12-700-MM-XX-A0	12	700	318	7.5	3.4	16
MDCV24-400-MM-XX-A0	24	400	181	7	3.2	6.5
MDCV24-700-MM-XX-A0	24	700	318	7.5	3.4	8
MDC12-400-MM-10-A0	12	400	181	18	8	13
MDC12-700-MM-10-A0	12	700	318	19	8.5	16
MDC24-400-MM-10-A0	24	400	181	18	8	6.5
MDC24-700-MM-10-A0	24	700	318	19	8.5	8

## APPLICATIONS

Concrete Pumps



Spreader Trucks/Fertilizer Tenders



Distributed by:

**ChicagoVibratorProducts**  
Flow and Compaction



Phone: 1-800-842-7284  
Website: [www.ChicagoVibrator.com](http://www.ChicagoVibrator.com)  
Email: [solutions@chivib.com](mailto:solutions@chivib.com)



**COMPANY WITH  
QUALITY SYSTEM  
CERTIFIED BY DNV GL  
= ISO 9001 =**

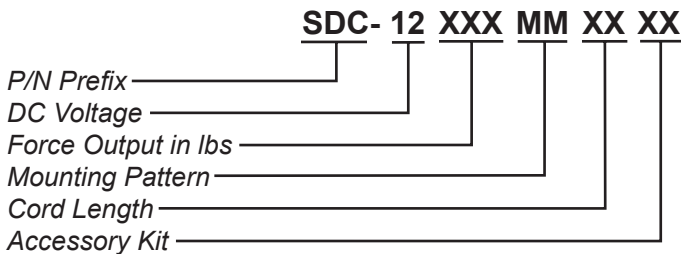
**Problem Solved™ GUARANTEED!**

Form No. L3318-09/20  
© Martin Engineering Company 1996, 2020

# Cougar® SDC Small Truck Vibrators



## NOMENCLATURE



### DC VOLTAGE

**12:** 12 volts

### FORCE OUTPUT IN LBS

**040:** 40 lbs

**070:** 70 lbs

**100:** 100 lbs

**200:** 200 lbs

### MOUNTING BOLT PATTERN

**MM:** 2" x 4"

### CORD LENGTH

**10:** 10"

**42:** 42"

**120:** 120"

### ACCESSORY KIT

**A0:** Without Accessory Kit

**01:** With Accessory Kit  
(mounting hardware and mount plate)

**02:** With Control Kit

**03:** With Accessory Kit  
(control kit, mounting plate and hardware)

**08:** With Accessory Kit  
(mounting hardware)

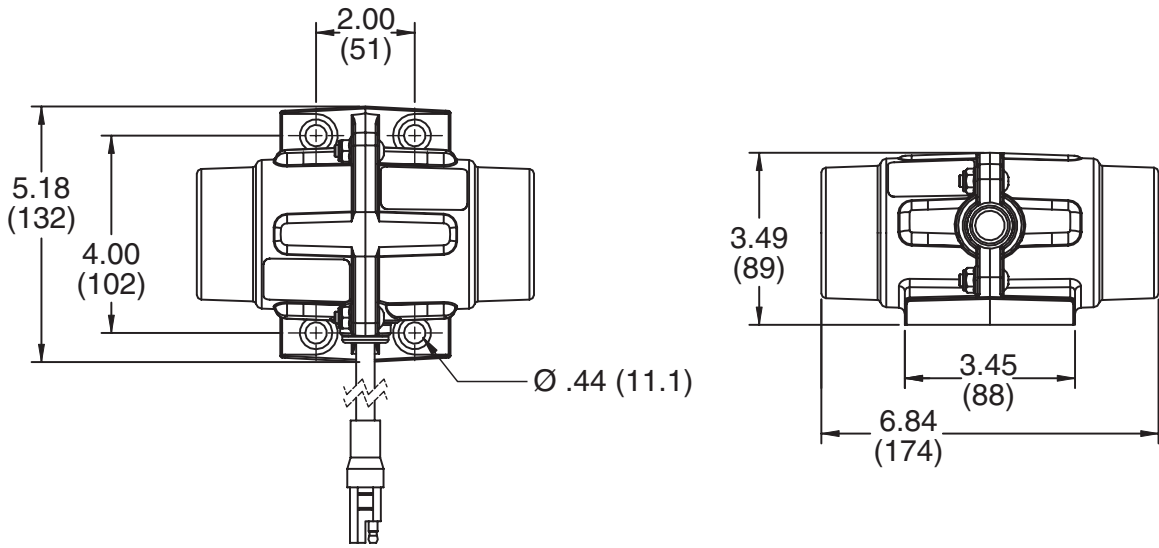
## FEATURES

- Available with either 40, 70, 100, or 200 pounds of vibratory force to improve the unloading of wet, sticky, fibrous or even frozen material.
- Small, lightweight units require minimal space.
- Weather-proof and corrosion-resistant housing provides high output to weight ratio.
- Sealed ball bearings are permanently lubricated.

### Specify Cougar for:

- Cost effective solutions
- Expert technical assistance
- Complete service and support

# TECHNICAL DATA SHEET



## PERFORMANCE DATA

Model	P/N	VOLT	AMP	MAX FORCE
DC40	SDC12-040-MM-10-A0	12	5	40
DC70	SDC12-070-MM-10-A0	12	5	70
DC100	SDC12-100-MM-10-A0	12	5	100
DC200	SDC12-200-MM-10-A0	12	5	200

Distributed by:

**ChicagoVibratorProducts**  
Flow and Compaction



Phone: 1-800-842-7284  
Website: [www.ChicagoVibrator.com](http://www.ChicagoVibrator.com)  
Email: [solutions@chivib.com](mailto:solutions@chivib.com)



COMPANY WITH  
QUALITY SYSTEM  
CERTIFIED BY DNV GL  
= ISO 9001 =

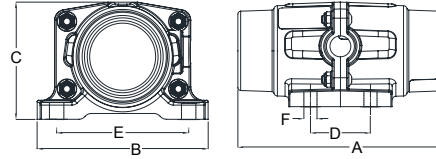
**Problem Solved™ GUARANTEED!**

Form No. L4070-02/22  
© Martin Engineering Company 2017, 2022

# ACCESSORIES AND SPECIFICATIONS

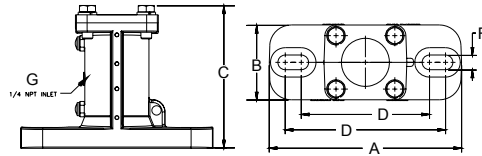
Accessory Parts		Applicable Vibrator Models									
Description	Part #	SDC-40	SDC-100	SDC-200	MDC-400	MDCV-700	DC-1100 -3200	THD-1600 -2500	AP5-200	AP5-125	ATU-43
Timer 12 Volt 45 secs on, 90 secs off	197266	X	X	X	X	X	X				
Timer 12 Volt 5 secs on, resets after 10 secs	197266-01	X	X	X	X	X	X				
Timer 24 Volt 45 secs on	197226-24				X	X	X				
Circuit Breaker	12 Volt						X				
	24 Volt						X				
Solenoid Relay	12 Volt						X				
	24 Volt						X				
Mount Plates	Steel						X	X			
	Aluminum						X	X			
	Steel				X						
	Aluminum				X						
	Steel 2V						X	X			
	Aluminum 2V						X	X			
Mount Kit	Steel						X	X			
	Aluminum						X	X			
Hopper Trailer Mount Bracket Kit	220985								X		
Control Kit	196855	X	X	X							
Air Motor Oil	14766-PR								X	X	
Filter, Regulator, Lubricator	14760-PR								X	X	
Filter, Regulator	37889										X
Truck Cable per foot 4 gauge	195103						X				

SDC 12 Volt Dimensions (inches)							Weight (lbs)
Model	A	B	C	D	E	F	
SDC-200	6.84	5.18	3.49	2	4	3/8	4.2
SDC-100	6.84	5.18	3.49	2	4	3/8	3.7
SDC-40	6.84	5.18	3.49	2	4	3/8	3.6



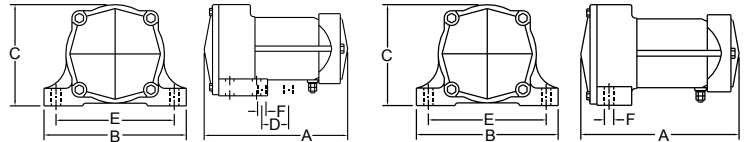
SDC

Pneumatic Vibrator Dimensions (inches)							
Model	A	B	C	Bolt	Bolt Size	Port NPT	Weight (lbs)
				D	F	G	
AP5-200	9	2.75	4.95	3.75-4.75	5/8	1/4	18
AP5-125	5.87	3.5	6.75	6.00-7.50	1/2	1/4	5
ATU-43	5.75	2.26	3.15	4	3/8	1/4	2.7



AP5-200

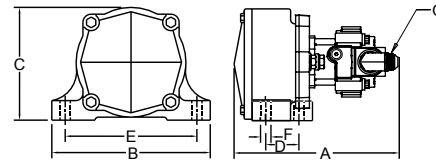
12/24 Volt DC Dimensions (inches)				Bolt	Pattern	Bolt Size	Weight (lbs)
Model	A	B	C	D	E	F	
DC-3200	10.39	9.75	7.20	2	8	5/8	23.7
DC-2700	10.39	9.75	7.20	2	8	5/8	23.8
DC-2500	10.39	9.75	7.20	2	8	5/8	20.6
DC-1600	10.39	9.75	7.20	2	8	5/8	23.8
DC-1100	10.39	9.75	7.20	2	8	5/8	23.8



DC-3200

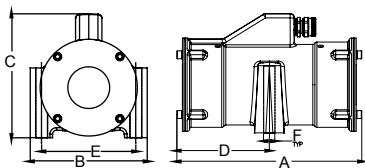
DC-2500/1100

Hydraulic Vibrator Dimensions (inches)				Bolt	Pattern	Bolt Size	Port	Weight (lbs)
Model	A	B	C	D	E	F	G	
THD-2500	8.06	10.25	7.20	2	8	5/8	3/4-16 SAE	25.4
THD-1600	8.06	10.25	7.20	2	8	5/8	3/4-16 SAE	25.4

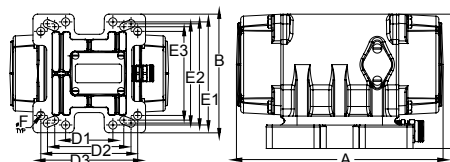


THD-2500

MDC 12/24 Volt Dimensions (inches)												Weight (lbs)	
Model	A	B	C	D	D1	D2	D3	E	E1	E2	E3		F
MDCV-700	9.2	5.59	5.94	4.6	-	-	-	4.5	-	-	-	1/2	16.16
MDC-400	8.58	6.34	5.58	-	2.56	3.75-4.53	5.25	-	5.51	5-5.31	5.51	3/8	17.63



MDCV



MDC

Distributed by:

**ChicagoVibratorProducts**  
Flow and Compaction



Phone: 1-800-842-7284  
Website: [www.ChicagoVibrator.com](http://www.ChicagoVibrator.com)  
Email: [solutions@chivib.com](mailto:solutions@chivib.com)