

CONCRETE VIBRATORS

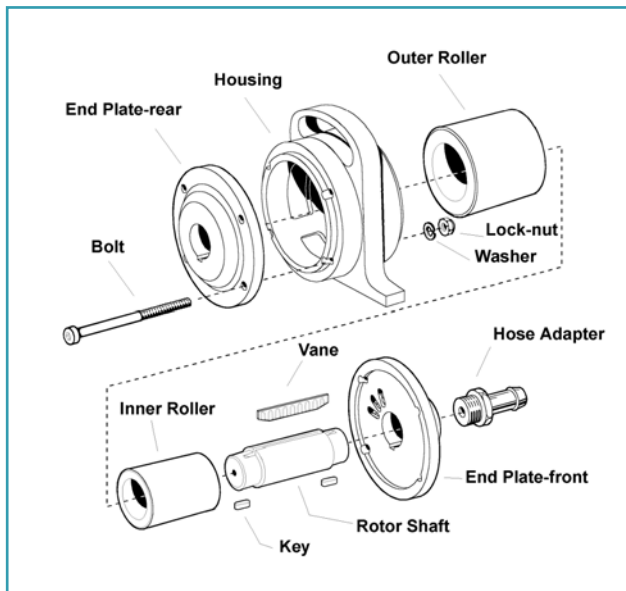


DUAL ROLLER VIBRATORS ARE IDEAL FOR APPLICATIONS REQUIRING HIGH FREQUENCY AND A POWERFUL FORCE.

LIGHT BODY WEIGHT ALLOWS EASE OF USE AND PORTABILITY.

CR MODELS ARE FIT FOR LUG BRACKET MOUNT

DR MODELS ARE BOLT MOUNTED



Why Dual Roller Vibrators are ideal for concrete applications!

The larger percentage of entrapped air occurs around the fines rather than the large particles. CR work at a frequency ranging from 7000 and 10000 rpm. This speed is ideal for agitating the fines assuring a more complete film of cementitious paste over the larger aggregates.



Dual Rollers leave larger aggregates relatively undisturbed lessening the chance of segregation

They move only the fines of the mix. They excel at removing entrapped air. Concrete density is increased. Surface finish is considerably improved.

PERFORMANCE DATA

MODEL	ROLLER	UNBALANCE	FREQUENCY		Force Output*		No Load**	AIR	
			60 PSI	90 PSI	60 PSI	90 PSI	90 PSI	60 PSI	90 PSI
	Type	lbs-inch	vpm	vpm	lbs	lbs	lbs	cfm	cfm
CR 700 / DR 700	single	0.10	11000	13000	530	750	1300	56	64
CR 1600 / DR 1600	single	0.25	10000	12000	1100	1600	2200	58	66
CR 4400 / DR 4400	single	0.6	9000	11000	2100	3200	4400	60	68
CR 5500 / DR 5500	double	1.6	7000	9000	3500	5700	9000	49	58
CR 6500 / DR 6500	double	3.3	5000	7000	3700	7100	13000	44	52
CR 7800 / DR 7800	double	6.0	3000	5500	4200	8100	10000	46	51
QCR 5500	single	2.5	5000	7000	2800	5400	7000	43	56

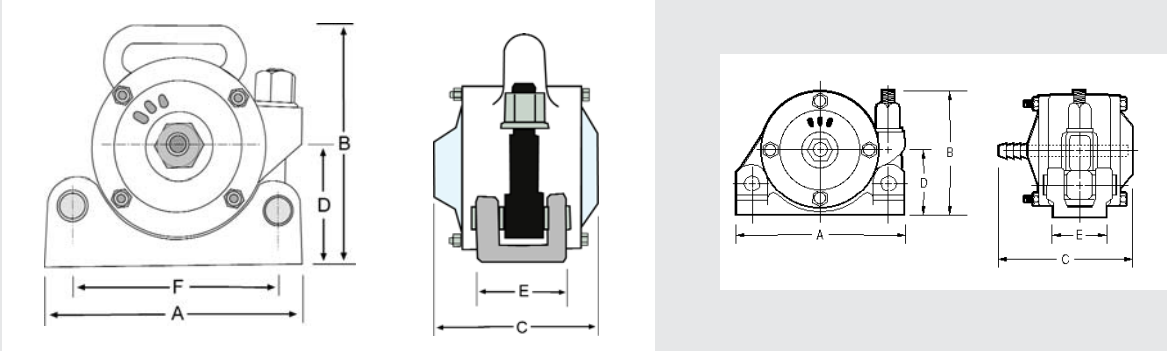
* The force output shown is the real working force of a vibrator applied to a form.

** The Max theoretical force at no load is nearly twice the working force and it is used for comparison only.

Example: the CR 5500 has a max working force of 5700 lbs at 90 Psi but a no load force of 9000 lbs

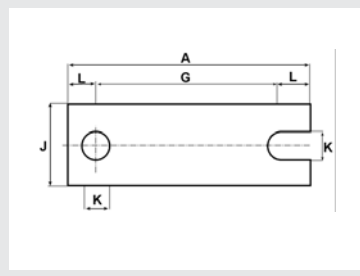
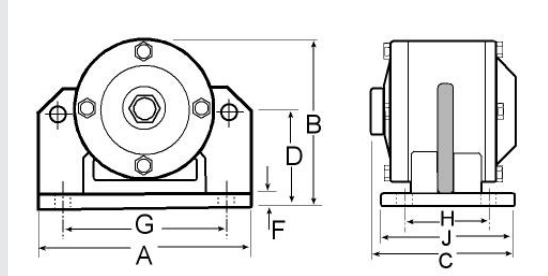
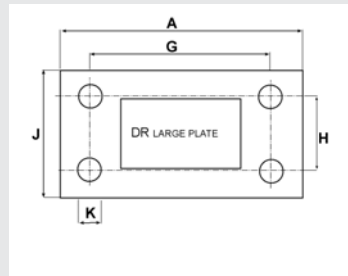
Warning: If used with no load (not attached to a structure) the vibrator will self destruct.

DIMENSIONS



CR MODELS

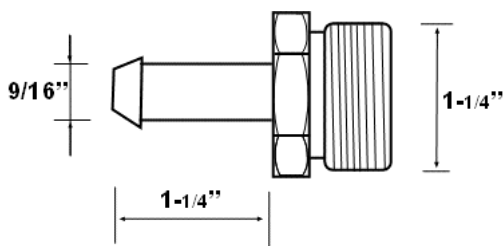
MODEL	A	B	C	D	E	F	Bracket	Weight (lbs)
CR 700	7	5.5	6.75	2.75	3.75	5.59	M-17	15
CR 1600	7	5.5	6.75	2.75	3.75	5.59	M-17	15
CR 4400	7	5.5	6.75	2.75	3.75	5.59	M-17	16
CR 5500	9.6	9	7	4.25	3.75	7.40	M-23	37
CR 6500	9.6	9	7	4.25	3.75	7.40	M-23	40
CR 7800	9.6	9	7	4.25	3.75	7.40	M-23	38



DR MODELS

MODEL	A	B	C	D	F	G	H	J	K	L	Plate	Weight (lbs)
DR 700	8.66"	5"	6.5"	2.6"	0.75"	7"	-	2.36"	0.71"	0.83"	small	15
DR 1600	8.66"	5"	6.5"	2.6"	0.75"	7"	-	2.36"	0.71"	0.83"	small	16
DR 4400	8.66"	5"	6.5"	2.6"	0.75"	7"	-	2.36"	0.71"	0.83"	small	17
DR 5500	10.75"	7.37"	6.50"	4.20"	0.75"	7.62"	3.75"	5.37"	0.69"	1.19"	large	45
DR 6500	10.75"	7.37"	6.50"	4.20"	0.75"	7.62"	3.75"	5.37"	0.69"	1.19"	large	48
DR 7800	10.75"	7.37"	6.50"	4.20"	0.75"	7.62"	3.75"	5.37"	0.69"	1.19"	large	52

AIR FITTING FOR CR 5500-A



M30 INLET FITTING

(included with vibrator)

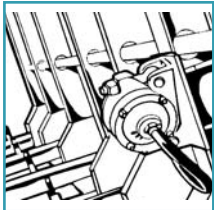
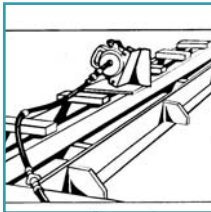
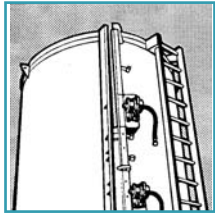


3/4" NPT ADAPTOR

(upon request)



Popular models	Applications
CR 5500 9000 RPM Smooth concrete finish	Wet Cast - Smooth concrete finish, Tunnel forms, Concrete panels, Inverted T and Double T, Screeds
CR 6500 6000 RPM	Concrete I-Beams, Veneer stone, Railcar unloading
CR 7800 3000 RPM High Amplitude	Dry Cast - Large round concrete pipes, Large square pipes, Large utility vaults, Coal mining hoppers, Railcar unloading, Railroad concrete ties
CR 4400 Small force	Small thickness panels, small precast parts, small concrete pipes



PRECAST AND PRESTRESSED INDUSTRY

WHY **EXTERNAL VIBRATION** IS A MUCH MORE EFFICIENT WAY TO ACHIEVE QUALITY WORK

1. LESS HUMAN ERROR

Human error is minimized in placement and consolidation. The amount of concrete which can be consolidated with most internal vibrators is limited to: the age and performance of the equipment, the experience and diligence of the operator and the response of the concrete - particularly in the critical area between the reinforcing and the strand. This is not so with external vibration; there is little limitation on frequency and force, and almost no dependence on operator skill. Only one man is needed for opening and closing one valve.

2. SMALLER CREWS

Reducing the use of rakes and shovels can significantly reduce the size of the crew.

3. SHORTER POURING TIME

Pouring time per form is reduced. Consolidation is faster and the speed of casting is limited only by your plant's ability to deliver concrete in the form. This means rapid turnover of your forms and optimum utilization of men and equipment.

4. IMPROVED CONCRETE QUALITY

Multi-directional total wave energy transmitted through the form wall ensures:

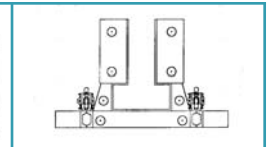
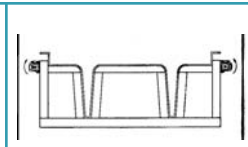
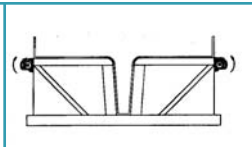
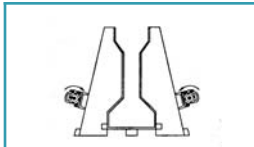
- A. A superior distribution of the mix
- B. Mass evacuation of entrapped air
- C. Fast consolidation
- D. Improved strength and quality

5. BETTER PRODUCT FINISH

Surface marks caused by internal vibrators contacting the forms are eliminated. Cost of rubbing and patching the product are minimized. You save on finishing and possible product rejection.

6. LESS BREAKDOWN AND MAINTENANCE

The casting of high-grade structural concrete with 1"-3" slumps demands continuous heavy service for internal vibrators. Only intermittent operation of external vibrators is required to do the same job. This leads to much less costly maintenance and fewer delays and downtime in production



Cradle Lug Bracket

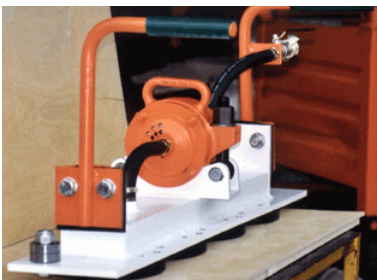
The success of a quick change portable system is fully dependent upon a secure mount.

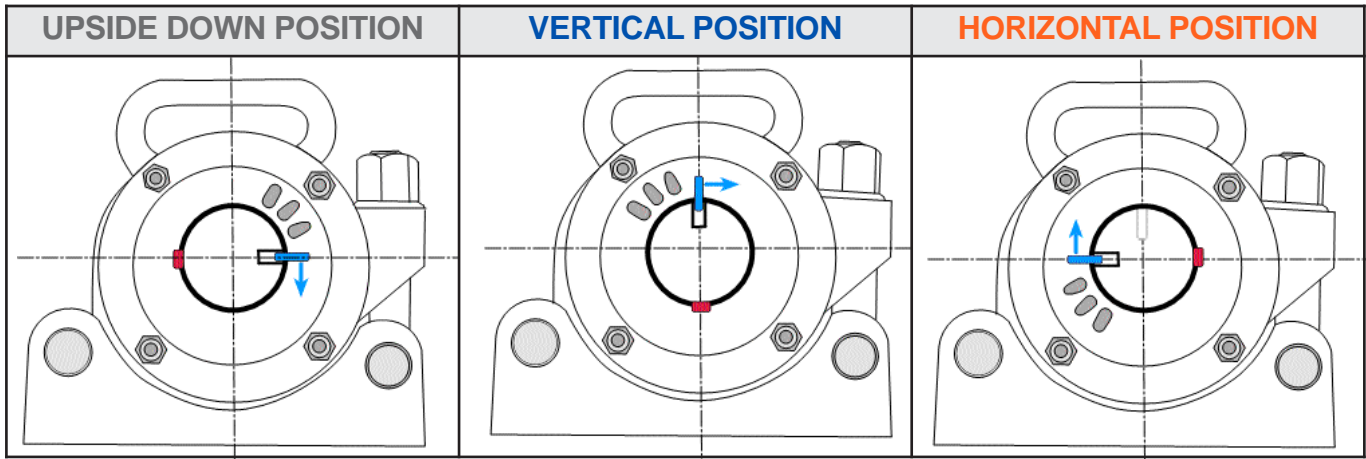
The Chicago Vibrator lug bracket is the highest quality mount available.

Features:

- Heavy-duty rugged cast steel construction.
- Heat treated
- Back face precisely machined
- Cradle side precisely ground to match vibrator's housing.

RUGGED STEEL M23 LUG BRACKET





Standard vibrators come factory preset for vertical positioning.

By adjusting shaft and front plate they can be quickly converted to an alternative positioning.

For ease of use the Chicago Concrete Vibrator COLOR is linked to the **working position**:

- Blue = vertical
- Orange = horizontal
- Gray = upside down




Chicago Vibrator Products
Flow and Compaction

Division of CVP Group
 800-842-7284 (P)
 866-247-7538 (F)
 Solutions@ChiVib.com
 www.ChicagoVibrator.com