

Boot-Lift® Railcar Connector



The **Boot-Lift® Railcar Connector** installs on the track flanges. Sponge seals fit securely to the hopper car unloading gates for a clean transfer of material to the under-track conveying system.

SPECIFICATIONS

Controls	All assemblies include the appropriate control console.
Air Requirements	1 cfm [0.47 L/sec] at 90 psi [6.2 bar]. Air line should include filter, regulator, and lubricator.
Boot Material	Standard material is 22 oz. black vinyl-covered cloth. Other materials are available, including polyethylene lined; white hypalon-coated cloth; food-grade polyethylene-lined polypropylene; and flame retardant coated polyester.

ACCESSORIES

• TRANSITION FUNNELS

These convert various models from double- to single-pocket unloading or from single- to double-pocket unloading. Simply remove the standard sponge seals and install the appropriate transition funnel and adapter sheet.

- DBL Transition Funnel..... P/N 17272
- DBL Adapter Sheet.....P/N DBL-18AS
- Converts DBL and DBL-GATX to SBL; requires DBL Adapter Sheet to fit opening.

• ADAPTER SHEETS

Rugged plywood adapters provide the proper discharge opening to suit various cars. Consult your Martin Engineering representative for specific adapter sheet requirements.

- SBL Adapter Sheet.....P/N SBL-24AS
- SBL Adapter Sheet.....P/N SBL-30AS

• MANUAL ALIGNER

Simplifies car positioning by allowing manual adjustment of up to 6 in. [150 mm] total—3 in. [75 mm] in either direction—along the track.

- Boot-Lift® Manual Aligner.....P/N 17326

• PNEUMATIC ALIGNER

Air-powered aligner provides 8 in. [200 mm] of adjustment—4 in. [100 mm] in either direction—along the track. Remote control; requires only 1 cfm [0.47 L/sec] at 30 psi [2 bar] of air. Boot-Lift® Pneumatic Aligner.....P/N 34140

• CYLINDER COVERS

Rugged vinyl-covered cloth covers prevent damage and contamination of air cylinders from material buildup and environmental conditions.

- Lift Cylinder Covers.....P/N 18335
- Spread Cylinder Covers..... P/N 18331

• FUNNEL COVERS

- SBL-24.....P/N 19544
- SBL-30.....P/N 34884-CA
- DBL-18/DBLG-18.....P/N 18420-01

• REPLACEMENT PARTS

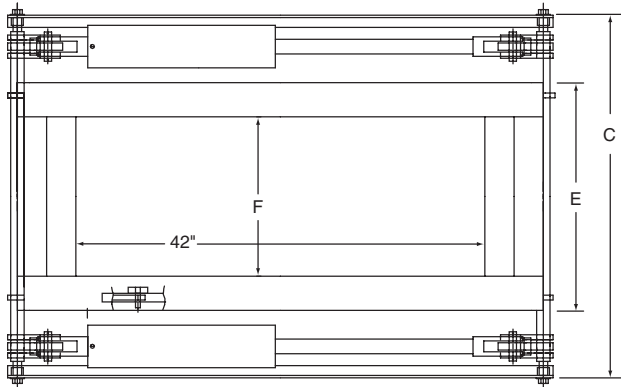
Replacement boots, sponge seals, and other components are available; see your Martin Engineering representative for more information.

TECHNICAL DATA SHEET

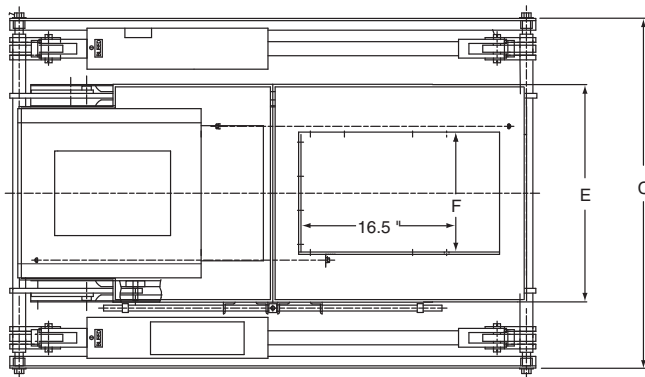
DIMENSIONS—in. (mm)

Model	A	B		C	D	E	F Funnel Opening
		Extended	Retracted				
SBL-24	57 (1448)	18.5 (470)	4.50 (115)	42.26 (1073)	54 (1372)	29.1 (740)	22 (559)
SBL-30	57 (1448)	18.5 (470)	4.50 (115)	50.26 (1277)	54 (1372)	37.1 (943)	30 (762)
SBLR-18	57 (1448)	22.23 (565)	6.03 (153)	36.26 (921)	48 (1219)	23 (584)	Ø 15 (381)
DBL-18	57 (1448)	21.56 (548)	5.34 (136)	36.26 (921)	54 [†] (1372)	23.1 (587)	12.5 (318)
DBL-18-GATX	57 (1448)	21.93 (557)	5.71 (145)	36.26 (921)	54 ^{††} (1372)	23.1 (587)	12.5 (318)

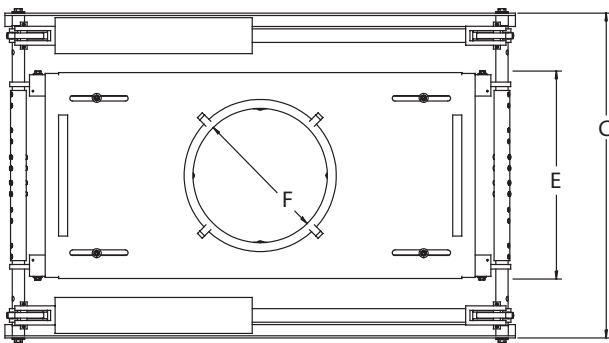
[†]Extended 69 in. (1752.6 mm) ^{††}Extended 76.63 in. (1946.4 mm)



SBL-24, SBL-30



DBL-18, DBL-18-GATX



SBLR-18

Distributed By:


ChicagoVibratorProducts
 Flow and Compaction
 Division of CVP Group
 800-842-7284 (P)
 866-247-7538 (F)
 Solutions@ChiVib.com
 www.ChicagoVibrator.com