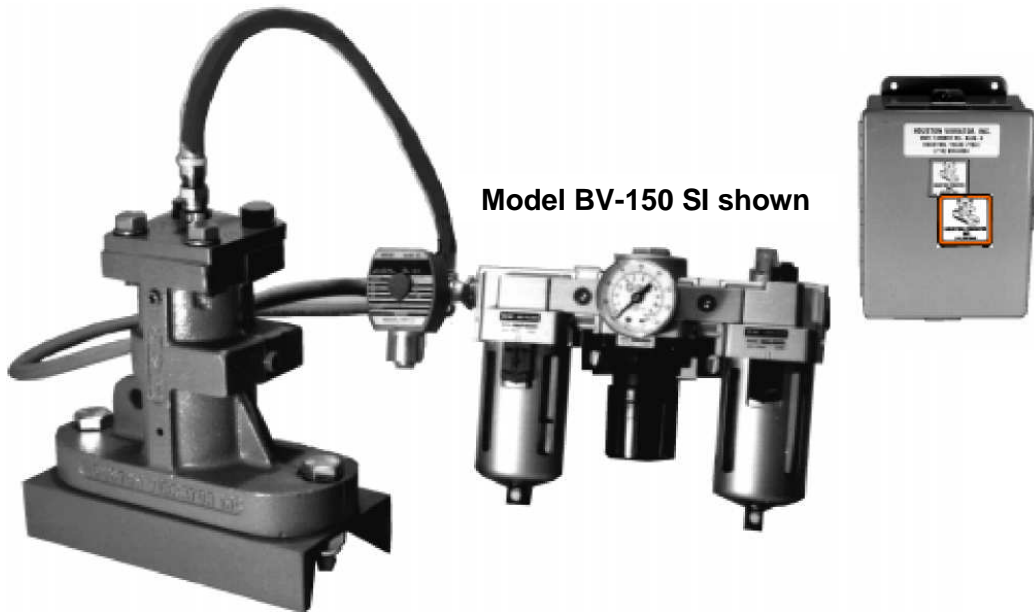




# SI SERIES SINGLE IMPULSE VIBRATORS

## Single Impulse Pneumatic Piston Vibrators



The timed impact of the Single Impulse (SI) design allows for low frequency vibration, reduced noise levels, and greater material control.

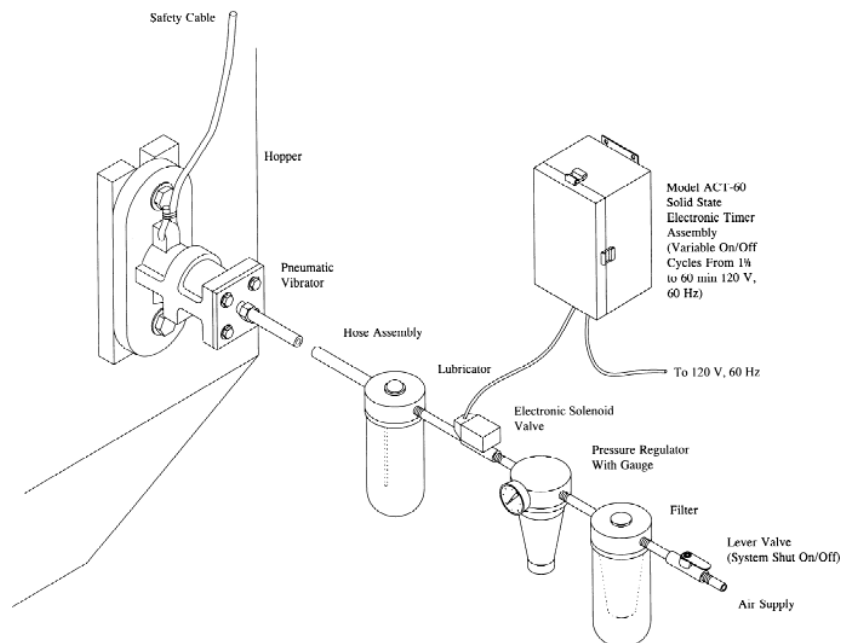
SI Series models are ideal for removal of powdered materials found in most dust collection hoppers and bag houses. Essentially, the SI Series vibrator is a sledgehammer with both controlled intensity and controlled frequency.

Six sizes are available, and each can be converted in the field to a continuously impacting vibrator if needed.

SI Series vibrators require the use of a pneumatic or electronic timer and solenoid valve. (See diagram at right)

Please see reverse for technical data of the SI Series.

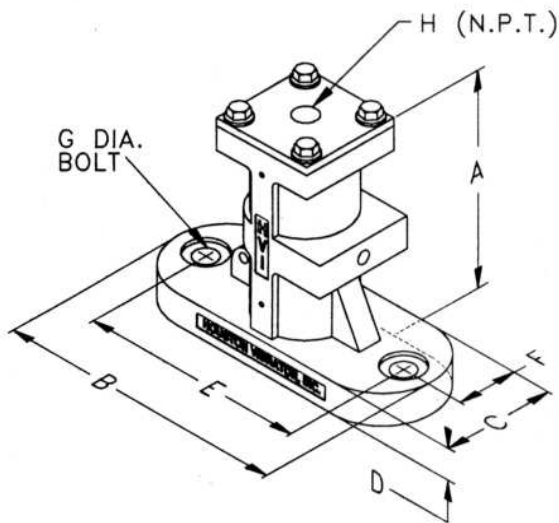
### TYPICAL SI SERIES INSTALLATION:



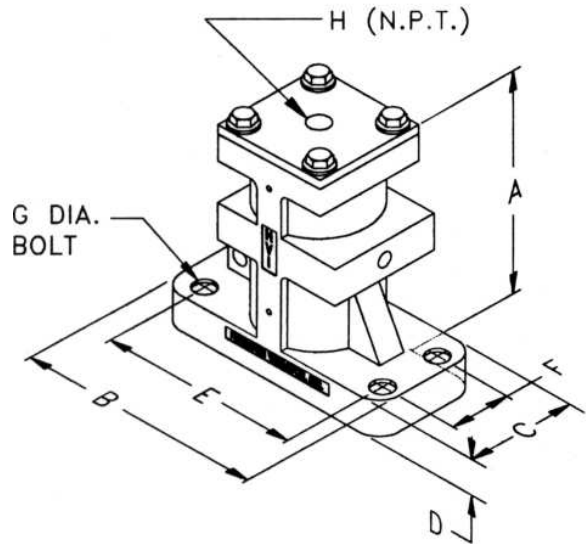
Air Schematics for multiple-unit or pneumatic timer installations available from your Houston Vibrator salesperson.

# SI SERIES TECHNICAL DATA

## MODELS BV-112 THRU BV-225



## MODELS BV-312 THRU BV-425



### DIMENSIONS

MODEL	A	B	C	D	E	F	G	H
BV-112 SI	3-3/4"	4-1/2"	2"	1/2"	3-1/2"	1"	1/2"	1/4"
BV-150 SI	5-1/2"	6"	2-1/2"	3/4"	4-1/2"	1-1/4"	1/2"	1/4"
BV-175 SI	7-1/4"	9"	3-1/2"	1"	7-1/2"	1-3/4"	5/8"	1/4"
BV-225 SI	7-1/4"	9"	3-1/2"	1"	7-1/2"	1-3/4"	5/8"	1/4"
BV-312 SI	9-5/8"	9-1/2"	5"	1-3/8"	7-3/4"	3-1/4"	7/8"	3/8"
BV-350 SI	9-5/8"	9-1/2"	5"	1-3/8"	7-3/4"	3-1/4"	7/8"	3/8"
BV-425 SI	12"	14"	6"	1-1/2"	12"	4"	1"	1/2"

### SI SERIES FORCE OUTPUT (FT-LB)

MODEL	30 PSI	40 PSI	50 PSI	60 PSI	70 PSI	80 PSI	90 PSI
BV-150 SI	5	7	8	10	12	13	15
BV-175 SI	7	10	13	15	18	20	23
BV-225 SI	14	19	24	29	34	38	43
BV-312 SI	41	54	68	82	95	108	122
BV-350 SI	60	83	105	120	143	165	185
BV-425 SI	153	198	252	305	351	396	448

### SI SERIES AIR CONSUMPTION (SCF/STROKE)

MODEL	20 PSI	40 PSI	60 PSI	80 PSI
BV-112 SI	0.0007	0.0010	0.0014	0.0018
BV-150 SI	0.0015	0.0023	0.0031	0.0040
BV-175 SI	0.0020	0.0031	0.0043	0.0054
BV-225 SI	0.0033	0.0052	0.0071	0.0090
BV-312 SI	0.0089	0.0140	0.0191	0.0241
BV-350 SI	0.0111	0.0175	0.0239	0.0302
BV-425 SI	0.0188	0.0295	0.0403	0.0510

Distributed By:

  
**ChicagoVibratorProducts**  
*Flow and Compaction*

Division of CVP Group

800-842-7284 (P)

866-247-7538 (F)

Solutions@ChiVib.com

www.ChicagoVibrator.com