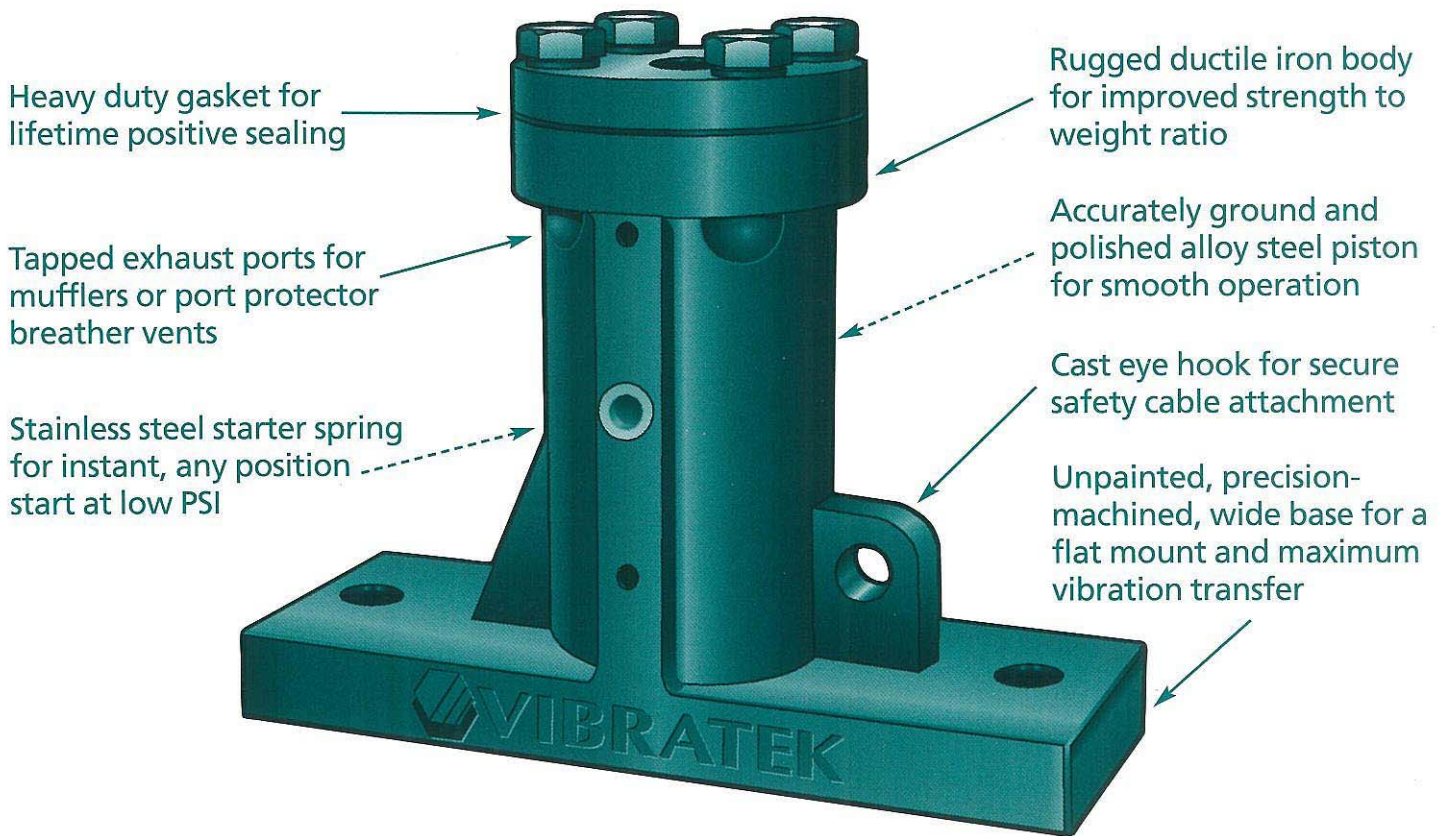
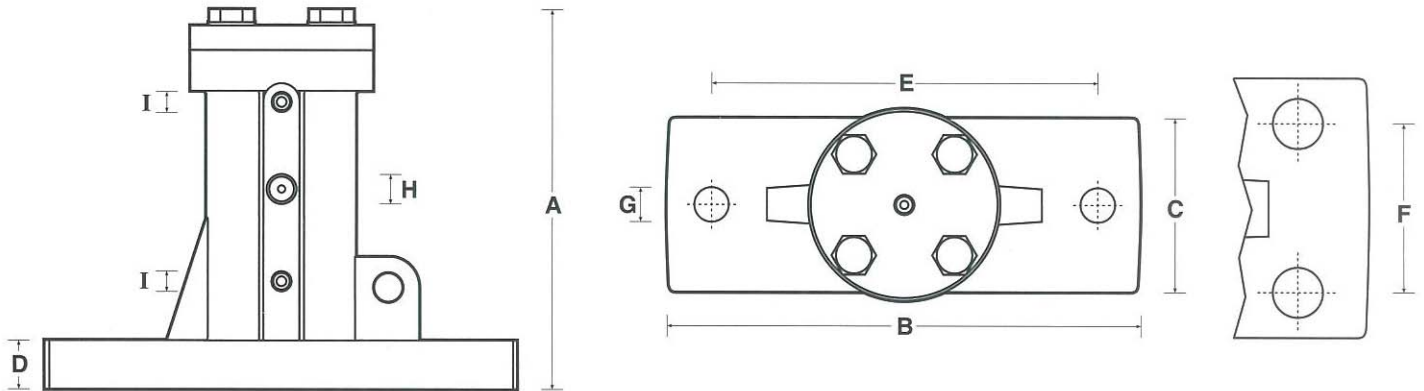


Performance Data



Model	40 PSI (2.75 Bar)			60 PSI (4.14 Bar)			80 PSI (5.50 Bar)		
	VPM	Force #	CFM	VPM	Force #	CFM	VPM	Force #	CFM
VP-118	5800	95	2.0	6500	130	3.0	7100	155	5.9
VP-138	4200	188	4.5	5000	240	6.3	5500	300	8.5
VP-178	3520	216	5.1	4100	310	10.0	5200	410	12.0
VP-218	2100	270	6.4	2600	390	11.0	2800	510	13.0
VP-318	1850	590	9.1	2000	845	17.0	2200	1025	21.0
VP-318RC	1850	590	9.1	2000	845	17.0	2200	1025	21.0
VP-118TI	-	72	0.003	-	85	0.004	-	120	0.005
VP-138TI	-	148	0.003	-	180	0.004	-	225	0.005
VP-178TI	-	165	0.011	-	235	0.015	-	310	0.019
VP-218TI	-	200	0.011	-	290	0.015	-	385	0.019
VP-318TI	-	450	0.030	-	675	0.040	-	950	0.050
VP-318RCTI	-	450	0.030	-	675	0.040	-	950	0.050
VP-118AC	3200	49	2.2	3900	58	3.3	4500	85	6.1
VP-138AC	2500	100	4.5	2800	135	6.0	3200	178	8.0
VP-178AC	2200	141	5.0	2400	180	9.0	2925	245	12.0
VP-218AC	1500	185	6.0	1850	234	10.5	2100	310	12.5
VP-318AC	1200	354	8.5	1350	510	15.0	1600	610	17.0
VP-318RCAC	1200	354	8.5	1350	510	15.0	1600	610	17.0

Dimensions



All dimensions in inches

Model	A	B	C	D	E	F	G	H*	I	Wgt.
VP-118	3.94	4.57	2.05	0.59	3.46	-	0.51	1/4 NPT	1/8 NPT	3.40 LBS
VP-138	5.83	6.14	2.56	0.83	4.49	-	0.51	1/4 NPT	1/8 NPT	8.50 LBS
VP-178	7.56	9.17	3.35	0.95	7.48	-	0.67	1/4 NPT	1/8 NPT	18.84 LBS
VP-218	7.56	9.17	3.35	0.95	7.48	-	0.67	1/4 NPT	1/8 NPT	19.12 LBS
VP-318	9.65	10.50	5.00	1.26	7.75	3.25	0.91	3/8 NPT	1/8 NPT	48.70 LBS
VP-318RC	9.65	7.36	5.00	1.26	5.75	3.37	0.91	3/8 NPT	1/8 NPT	45.00 LBS

*Timed impact units use top mount inlet; VP-318TI & VP-318TIRC = 3/4" port



1-800-842-7284
1-630-920-9411 (Outside USA & Canada)