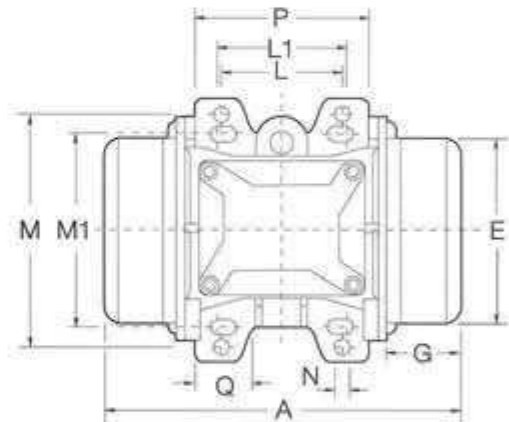
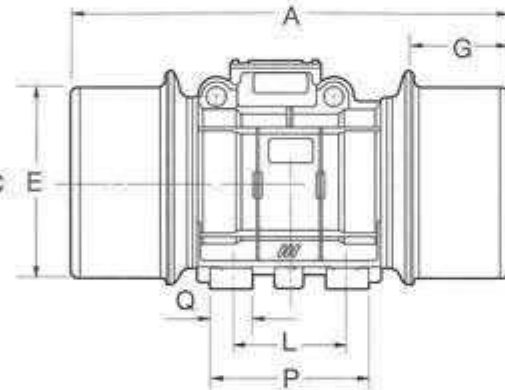
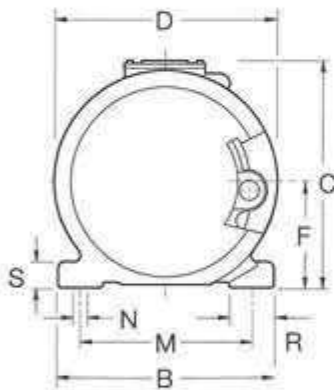


VE3/36

3600 RPM Three-Phase



PERFORMANCE DATA							
MODEL	FORCE OUTPUT	UN-BALANCE	POWER OUTPUT	AMP DRAW 460V	AMP DRAW 230V	STARTUP CURRENT MULTIPLIER	WEIGHT
	lbs	in-lbs	hp	Amps	Amps		lbs
VE3/36/120	167	0.45	0.22	0.28	0.56	3.2	9
VE3/36/240	243	.65	0.13	0.18	0.36	3.1	10
VE3/36/410	417	1.13	.24	0.35	0.70	3.3	16
VE3/36/700	712	1.94	0.34	0.45	0.90	3.5	22
VE3/36/1100	1177	6.38	0.67	0.97	1.94	4.2	35
VE3/36/1700	1687	9.14	0.89	1.24	2.48	5.0	37
VE3/36/2300	2233	12.11	1.27	1.95	3.90	4.5	48
VE3/36/3500	3545	9.61	2.11	2.61	5.22	6.2	113
VE3/36/4400	4400	12	2.68	3.42	6.84	6.4	115
VE3/36/5100	5084	27.57	3.22	3.94	7.88	6.3	114
VE3/36/7000	7040	19	5.36	5.6	11.2	5.2	218
VE3/36/10000	10560	29	6.70	7.1	14.2	4.9	299
VE3/36/12000	13200	36	10.72	12	24	5.4	425



VE3/36/1100 - VE3/36/12000

VE3/36/120 - VE3/36/700

DIMENSIONS																			
MODEL	A	B	C	D	E	F	G	L	L1	M	M1	N	P	Q	R	S	BOLT HOLE NBR.	BOLT HOLE FRAME	
VE3/36/120	8.34	5.9	5.7	4.45	4.13	2.36	1.81	2.75	2.44-2.91	5.12	4.17	0.35	3.9	1.18	1.37	0.39	4	1	
VE3/36/240	8.34	5.12	5.35	3.7	3.39	1.89	1.77	2.75	2.44-2.91	5.12	4.17	0.35	3.9	1.18	1.37	0.39	4	10	
VE3/36/410	8.54	5.12	6.22	4.72	4.41	2.5	1.59	2.75	2.44-2.91	5.12	4.17	0.35	3.9	1.18	1.37	0.39	4	20	
VE3/36/700	10.24	6.10	6.97	5.67	5.20	3.15	1.69	3.54	VARIOUS	4.92	5.51	0.51	4.72	1.18	1.57	0.47	4	30	
VE3/36/1100	13.31	6.61	7.95	6.61	6.22	3.62	2.95	4.13	-	5.51	-	0.51	7.04	1.30	1.57	0.87	4	40	
VE3/36/1700	13.31	6.61	7.95	6.61	6.22	3.62	2.95	4.13	-	5.51	-	0.67	6.30	1.57	1.69	0.79	4	40	
VE3/36/2300	15.63	8.27	8.39	7.09	6.69	3.70	3.54	4.72	-	6.70	-	0.67	8.07	1.57	1.69	0.87	4	50	
VE3/36/3500	17.56	8.98	9.57	9.68	8.62	4.80	3.86	5.51	-	7.48	-	0.67	7.48	1.57	1.77	0.98	4	60	
VE3/36/4400	17.64	8.98	9.57	9.68	8.70	4.72	3.86	5.51	-	7.48	-	0.67	7.48	1.57	1.77	0.98	4	60	
VE3/36/5100	17.64	8.98	9.57	9.68	8.70	4.72	3.86	5.51	-	7.48	-	0.67	8.66	1.97	2.17	1.16	4	60	
VE3/36/7000	21.26	12.80	13.54	12.80	11.14	6.18	4.02	6.14	-	10.08	-	0.91	8.66	2.17	2.36	1.38	4	30	
VE3/36/10000	23.23	13.39	14.72	13.98	12.17	6.77	4.17	7.09	-	11.02	-	0.98	9.45	2.36	2.56	1.57	4	60	
VE3/36/12000	25.12	15.35	16.26	15.67	13.66	7.52	4.13	7.87	-	12.60	-	1.10	11.02	2.95	3.07	1.77	4	70	