

VE3 1800 RPM ELECTRIC VIBRATOR

VE Electric vibrator line was developed for the most demanding industrial applications.

State of the art design and construction to withstand serious operating loads.

Housing in ductile cast iron of high mechanical strength.



PERFORMANCE DATA

MODEL	FORCE OUTPUT	UNBALANCE	HP	AMP DRAW 460 V	AMP DRAW 230 V	STARTUP CURRENT MULTIPLIER	FRAME	WEIGHT
	lbs	in -lbs	h.p.	Amps	Amps			lbs
VE3/18/150	174	1.54	0.14	0.21	0.42	1.9	1	12
VE3/18/450	448	5.1	0.23	0.37	0.74	3.2	2	24
VE3/18/900	908	10	0.44	0.66	1.32	3.5	3	46
VE3/18/1200	1280	15	0.48	0.71	1.42	3.3	3	62
VE3/18/1500	1522	17	0.70	0.90	1.8	4.3	4-A	72
VE3/18/2200	2246	25	0.91	1.15	2.3	4.7	4-B	95
VE3/18/3500	3522	38	1.47	1.5	3.0	4.4	15-A	106
VE3/18/4600	4598	50	1.68	2.0	4.0	4.7	15-B	119
VE3/18/6000	5984	65	2.41	3.1	6.2	6.1	20	172
VE3/18/8000	8342	91	3.28	4.7	9.4	6.3	30	240
VE3/18/10000	10932	119	4.42	4.9	9.8	4.6	50	304
VE3/18/15000	14487	157	8.04	9.5	19	6.1	70	453
VE3/18/17500	17681	192	10.7	11.5	23	5.6	70-B	515
VE3/18/18000	17681	192	10.7	11.5	23	5.6	120-A	647
VE3/18/20000	19769	215	11.4	12	24	5.3	120-B	680
VE3/18/25000	24160	263	14.7	16	32	6.7	120-C	814

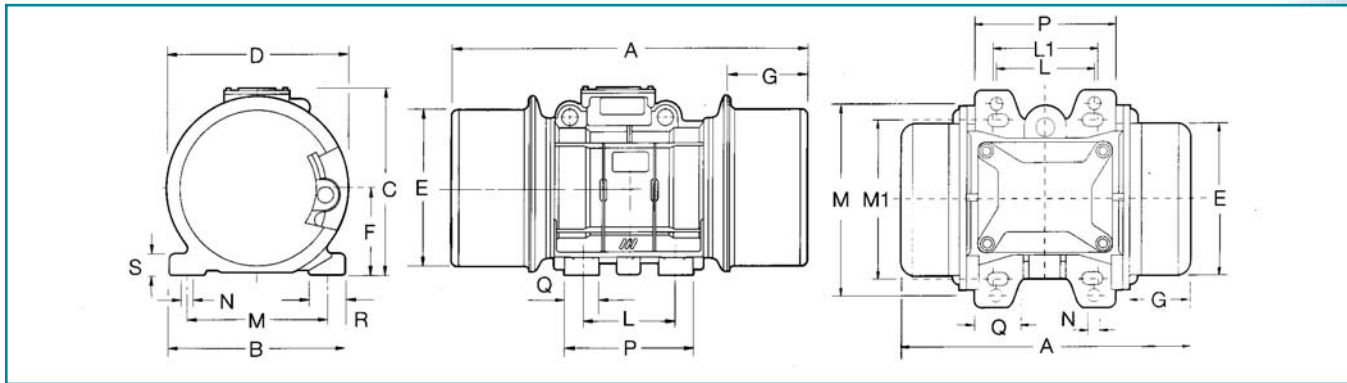
TYPICAL APPLICATIONS



BIN ACTIVATORS
VIBRATORY SCREENS
BULK BAG UNLOADERS



D I M E N S I O N S



DIMENSIONS

MODEL	A	B	C	D	E	F	G	L	L1	M	M1	N	P	Q	R	S	BOLT HOLE NBR
VE3/18/150	9.06	5.91	5.71	5.12	4.13	2.36	2.17	2.76	2.44-2.91	5.12	4.17	0.35	3.9	1.18	1.38	0.39	4
VE3/18/450	11.73	6.54	7.28	6.30	5.12	2.95	2.72	3.54	3.54	4.92	5.51	0.51	4.72	1.18	1.57	0.47	4
VE3/18/900	13.78	7.48	8.07	7.36	5.94	3.35	3.35	4.13		5.51		0.51	5.35	1.30	1.57	0.63	4
VE3/18/1200	13.78	7.48	8.07	7.36	5.94	3.35	3.35	4.13		5.51		0.51	5.35	1.30	1.57	0.63	4
VE3/18/1500	13.98	8.27	9.29	8.50	7.13	3.98	2.80	4.72		6.70		0.67	6.30	1.57	1.69	0.79	4
VE3/18/2200	16.34	8.27	9.29	8.50	7.13	3.98	3.98	4.72		6.70		0.67	6.30	1.57	1.69	0.79	4
VE3/18/3500	17.56	9.65	10.24	10.16	8.62	4.80	3.39	5.51		7.48		0.67	7.48	1.57	1.77	0.98	4
VE3/18/4600	19.21	9.65	10.24	10.16	8.62	4.80	4.21	5.51		7.48		0.67	7.48	1.57	1.77	0.98	4
VE3/18/6000	20.47	10.83	12.20	10.94	9.41	5.20	4.17	6.10		8.86		0.83	8.07	1.97	2.17	1.18	4
VE3/18/8000	21.26	12.80	13.54	12.80	11.14	6.18	4.02	6.14		10.08		0.91	8.66	2.17	2.36	1.38	4
VE3/18/10000	23.23	13.39	14.72	13.98	12.17	6.77	4.17	7.09		11.02		0.98	9.45	2.36	2.56	1.57	4
VE3/18/15000	25.12	15.35	16.26	15.67	13.66	7.52	4.13	7.87		12.6		1.10	11.02	2.95	3.07	1.77	4
VE3/18/17500	33.31	15.35	16.26	15.67	13.66	7.52	7.95	7.87		12.6		1.10	11.02	2.95	3.07	1.77	4
VE3/18/18000	27.80	17.91	17.64	18.11	16.18	8.86	4.65	10.24		14.76		1.26	13.39	3.39	3.27	1.97	6
VE3/18/20000	27.8	17.91	17.64	18.11	16.18	8.86	4.65	10.24		14.76		1.26	13.39	3.39	3.27	1.97	6
VE3/18/25000	29.06	17.91	17.64	18.11	16.18	8.86	4.65	10.24		14.76		1.26	13.39	3.39	3.27	1.97	6



642 NEWPORT AVENUE
WESTMONT, IL 60559
1-800-842-7284
1-630-920-9411(local)
WWW.CHICAGOVIBRATOR.COM
solutions@chivib.com