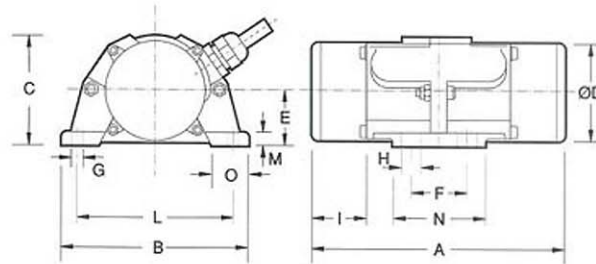
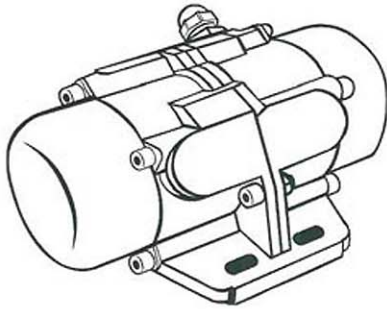


VBM



Light Impact Vibrators

PERFORMANCE DATA								
MODEL		FREQUENCY	FORCE OUTPUT	UN-BALANCE	POWER OUTPUT	AMP DRAW	STARTUP CURRENT MULTIPLIER	WEIGHT
		rpm	lbs	in-lbs	hp	Amp 115V		lbs
VBM1/36/70	Single-Phase	3600	68	0.19	0.040	0.25	0.6	3.5
						Amp 230V		
VBM3/36/70	Three-Phase	3600	68	0.19	0.036	0.29	0.7	3.5



DIMENSIONS													
MODEL	A	B	C	D	E	F	G	H	I	L	M	N	O
VBM1/36/70	5.75	4.37	2.64	2.40	1.30	1.26	0.28	0.51	1.26	3.62	0.35	2.13	0.83
VBM3/36/70	5.75	4.37	2.64	2.40	1.30	1.26	0.28	0.51	1.26	3.62	0.35	2.13	0.83


ChicagoVibratorProducts
Flow and Compaction

1-800-842-7284

1-630-920-9411 (Outside USA & Canada)